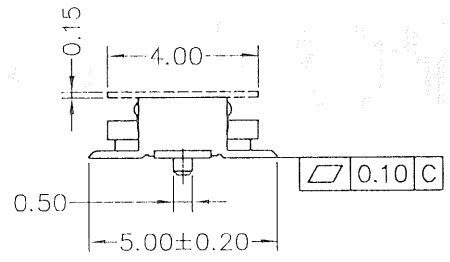
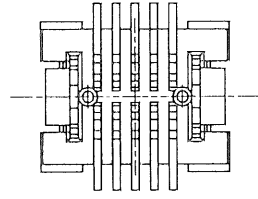
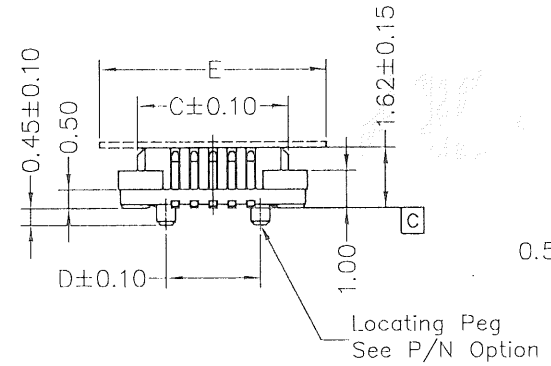
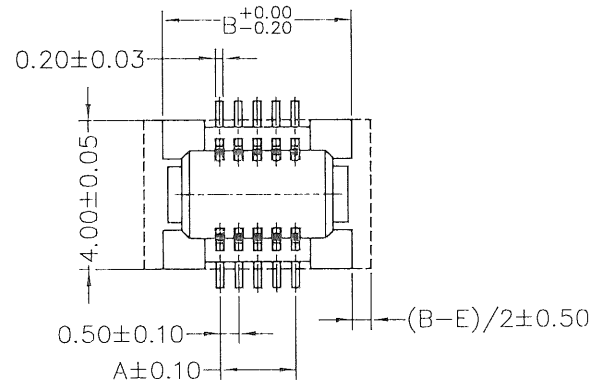


| | | | | |
|-----|-------|-------|-------|-------|
| 140 | 34.50 | 37.50 | 36.35 | 35.00 |
| 120 | 29.50 | 32.50 | 31.35 | 30.00 |
| 100 | 24.50 | 27.50 | 26.35 | 25.00 |
| 98 | 24.00 | 27.00 | 25.85 | 24.50 |
| 96 | 23.50 | 26.50 | 25.35 | 24.00 |
| 94 | 23.00 | 26.00 | 24.85 | 23.50 |
| 92 | 22.50 | 25.50 | 24.35 | 23.00 |
| 90 | 22.00 | 25.00 | 23.85 | 22.50 |
| 88 | 21.50 | 24.50 | 23.35 | 22.00 |
| 86 | 21.00 | 24.00 | 22.85 | 21.50 |
| 84 | 20.50 | 23.50 | 22.35 | 21.00 |
| 82 | 20.00 | 23.00 | 21.85 | 20.50 |
| 80 | 19.50 | 22.50 | 21.35 | 20.00 |
| 78 | 19.00 | 22.00 | 20.85 | 19.50 |
| 76 | 18.50 | 21.50 | 20.35 | 19.00 |
| 74 | 18.00 | 21.00 | 19.85 | 18.50 |
| 72 | 17.50 | 20.50 | 19.35 | 18.00 |
| 70 | 17.00 | 20.00 | 18.85 | 17.50 |
| 68 | 16.50 | 19.50 | 18.35 | 17.00 |
| 66 | 16.00 | 19.00 | 17.85 | 16.50 |
| 64 | 15.50 | 18.50 | 17.35 | 16.00 |
| 62 | 15.00 | 18.00 | 16.85 | 15.50 |
| 60 | 14.50 | 17.50 | 16.35 | 15.00 |
| 58 | 14.00 | 17.00 | 15.85 | 14.50 |
| 56 | 13.50 | 16.50 | 15.35 | 14.00 |
| 54 | 13.00 | 16.00 | 14.85 | 13.50 |
| 52 | 12.50 | 15.50 | 14.35 | 13.00 |
| 50 | 12.00 | 15.00 | 13.85 | 12.50 |
| 48 | 11.50 | 14.50 | 13.35 | 12.00 |
| 46 | 11.00 | 14.00 | 12.85 | 11.50 |
| 44 | 10.50 | 13.50 | 12.35 | 11.00 |
| 42 | 10.00 | 13.00 | 11.85 | 10.50 |
| 40 | 9.50 | 12.50 | 11.35 | 10.00 |
| 38 | 9.00 | 12.00 | 10.85 | 9.50 |
| 36 | 8.50 | 11.50 | 10.35 | 9.00 |
| 34 | 8.00 | 11.00 | 9.85 | 8.50 |
| 32 | 7.50 | 10.50 | 9.35 | 8.00 |
| 30 | 7.00 | 10.00 | 8.85 | 7.50 |
| 28 | 6.50 | 9.50 | 8.35 | 7.00 |
| 26 | 6.00 | 9.00 | 7.85 | 6.50 |
| 24 | 5.50 | 8.50 | 7.35 | 6.00 |
| 22 | 5.00 | 8.00 | 6.85 | 5.50 |
| 20 | 4.50 | 7.50 | 6.35 | 5.00 |
| 18 | 4.00 | 7.00 | 5.85 | 4.50 |
| 16 | 3.50 | 6.50 | 5.35 | 4.00 |
| 14 | 3.00 | 6.00 | 4.85 | 3.50 |
| 12 | 2.50 | 5.50 | 4.35 | 3.00 |
| 10 | 2.00 | 5.00 | 3.85 | 2.50 |
| 06 | 1.00 | 4.00 | 2.85 | 1.50 |

CIRCUITS DIM A DIM B DIM C DIM D



| PIN数 | FILM(E) |
|------------|---------|
| 12PIN(含)以下 | Ø4.00 |
| 12PIN以上 | 6.0X4.0 |

| 版次 | ECN 编码 | 描述 | | 设计/日期 |
|----|------------|----|----------|---------------|
| 21 | CH10060148 | 改前 | 改后 | 邹伟_2010/06/25 |
| | | / | 新增6PIN规格 | |
| 22 | EW21110002 | / | 更换新图框 | 刘恋_2021/11/04 |

- NOTES: (Unless otherwise specified)
1. Dimension shall be interpreted per ANSI Y14.5M.
 2. Materials:
Insulator material: High Temperature Thermoplastic, UL 94V-0;
Contact material: Copper alloy.
 3. Current Rating: 0.5A.
 4. Voltage Rating: 30V AC/DC.
 5. Working Temperature: -40°C ~ +105°C.
 6. Harmful material should be compliant to doc."EI-0005" standards.
 7. Product number matrix:

ZVE-XXS2-X-X-***

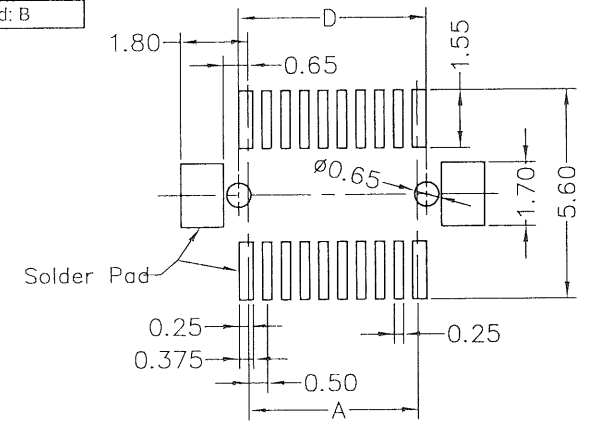
Number of contacts
(EX:100 Contacts=A0,
140 Contacts=E0)

Plating Code:

| Definition | Code |
|---------------|----------|
| ● Gold plated | |
| flash | B 15u" F |
| 10u" | E 30u" J |
| ● Standard: | B |

NULL:WITH HALOGEN
H: HALOGEN FREE
NULL:TUBE(W/O FILM)
K:REEL(W/O FILM)
C:FILM+REEL
F:FILM+TUBE

0:W/O Locating peg
1:With Locating peg



Recommended PCB layout
(PCB TOLERANCE: ±0.05)

| | | | | | | | | |
|--|-----------------|---------|-----------|-------------|-----------------|---|------------------|-----------|
| | TOLERANCE TABLE | | SCALE 5:1 | DRAWN 刘恋 | DATE 2021/11/04 | DWG. NO. 600-0000-0276 | TITLE | REV. 22 |
| | X ± 0.30 | X° ± 3° | UNIT mm | CHECK 李星涛 | DATE 2021/11/06 | PARTS NO.(INTENDED USE) ZVE-XXS2-X-X-*** | CUSTOMER DRAWING | SHEET 1/1 |
| | X ± 0.25 | X° ± 2° | SIZE A4 | APPROVE 李星涛 | DATE 2021/11/06 | | | |
| | .XX ± 0.20 | | | | | | | |