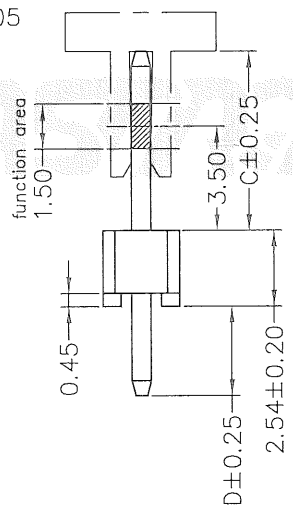
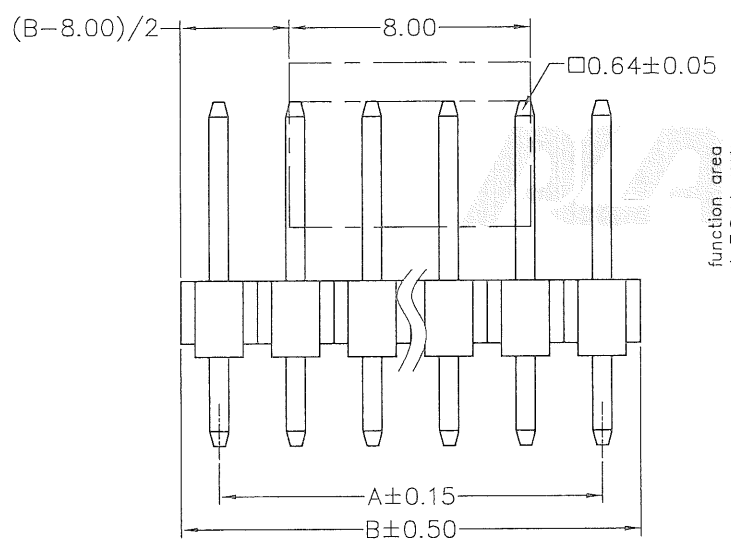
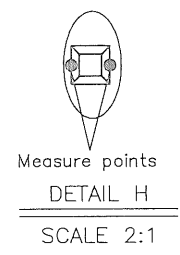
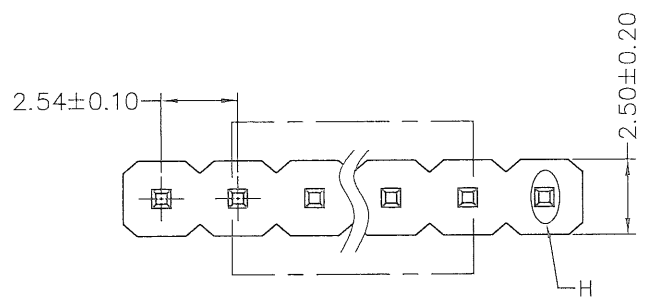


No. of Contacts	A	B
01		2.54
02	2.54	5.08
03	5.08	7.62
04	7.62	10.16
05	10.16	12.70
06	12.70	15.24
07	15.24	17.78
08	17.78	20.32
09	20.32	22.86
10	22.86	25.40
11	25.40	27.94
12	27.94	30.48
13	30.48	33.02
14	33.02	35.56
15	35.56	38.10
16	38.10	40.64
17	40.64	43.18
18	43.18	45.72
19	45.72	48.26
20	48.26	50.80
21	50.80	53.34
22	53.34	55.88
23	55.88	58.42
24	58.42	60.96
25	60.96	63.50
26	63.50	66.04
27	66.04	68.58
28	68.58	71.12
29	71.12	73.66
30	73.66	76.20
31	76.20	78.74
32	78.74	81.28
33	81.28	83.82
34	83.82	86.36
35	86.36	88.90
36	88.90	91.44
37	91.44	93.98
38	93.98	96.52
39	96.52	99.06
40	99.06	101.60



版次	ECN 编码	描述		设计/日期
60	EW14080016	改前	改后	周晓峰_2014/08/19
		/	变更2.54±0.10位置	
61	EW21100011	/	更换新图框	江蒙_2021/11/08

- NOTES: (Unless otherwise specified)
- Dimension shall be interpreted per ANSI Y14.5M.
  - Materials:  
Insulator material: High Temperature Thermoplastic, UL 94V-0;  
Contact material: Copper alloy.
  - Current Rating: 3A.
  - Voltage Rating: 30V AC/DC.
  - Working Temperature: -40°C ~ +105°C.
  - Harmful material should be compliant to doc."EI-0005" standards.
  - Product number matrix:

XHY-XXS-X-C/D-\*.\*

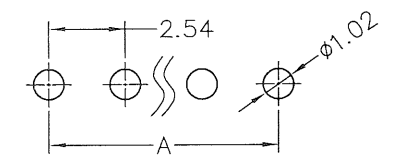
Pin type					
Brass	L				NULL: PE Bag
Bandolier(Brass)	B				G: TUBE
Phosphor Bronze	P				P: PAD+TUBE
Standard: L					R: PAD+REEL

Number of Contacts: Straight

Plating Code:

Definition	Code
◎ Tin plated	A
◎ Gold plated :	
flash B 5u" D 10u" E	
15u" F 20u" G 30u" J	
◎ Duplex plated :	
flash K 5u" M 10u" N	
15u" P 20u" Q 30u" U	
◎ Standard: B	

Pin Length: If C/D is 060/025, DIM C=6.00, DIM D=2.50



Recommended PCB Layout (PCB TOLERANCE ±0.05)



TOLERANCE TABLE		SCALE	DRAWN	DATE	DWG. NO.	TITLE	REV.
X. ± 0.30	X.° ± 3°	4:1	江蒙	2021/11/08	600-0000-0155	CUSTOMER DRAWING	61
.X ± 0.25	.X° ± 2°	UNIT	李智博	2021/11/08	PARTS NO.(INTENDED USE)		SHEET
.XX ± 0.20		mm	江蒙	2021/11/08	XHY-XXS-X-C/D-*.*		1/4

A

B

C

D

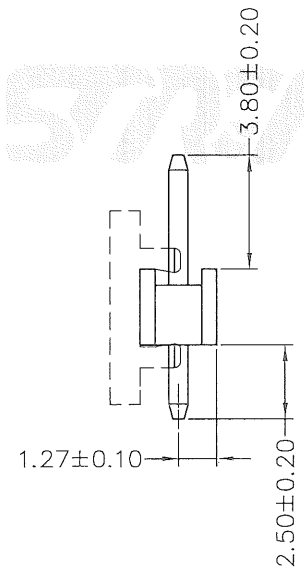
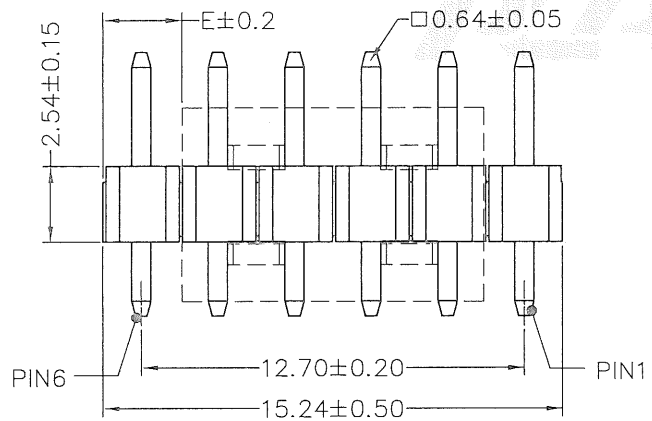
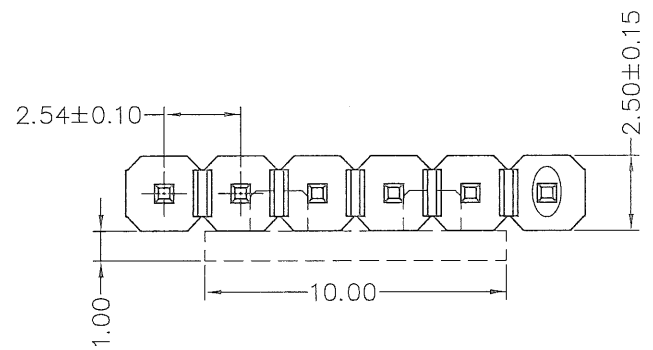
E

No. of Contacts	A	B
01		2.54
02	2.54	5.08
03	5.08	7.62
04	7.62	10.16
05	10.16	12.70
06	12.70	15.24
07	15.24	17.78
08	17.78	20.32
09	20.32	22.86
10	22.86	25.40
11	25.40	27.94
12	27.94	30.48
13	30.48	33.02
14	33.02	35.56
15	35.56	38.10
16	38.10	40.64
17	40.64	43.18
18	43.18	45.72
19	45.72	48.26
20	48.26	50.80
21	50.80	53.34
22	53.34	55.88
23	55.88	58.42
24	58.42	60.96
25	60.96	63.50
26	63.50	66.04
27	66.04	68.58
28	68.58	71.12
29	71.12	73.66
30	73.66	76.20
31	76.20	78.74
32	78.74	81.28
33	81.28	83.82
34	83.82	86.36
35	86.36	88.90
36	88.90	91.44
37	91.44	93.98
38	93.98	96.52
39	96.52	99.06
40	99.06	101.60

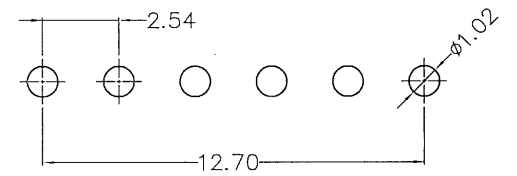
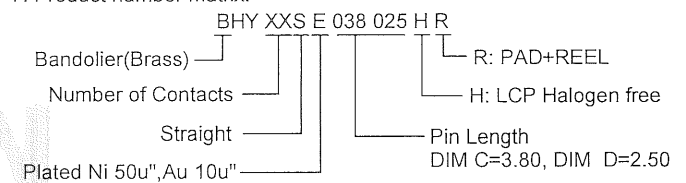
PIN NO.	E
Double Number	(B-10)/2±0.2
Odd Number	(B-10)/2+1.27±0.2

华为专用

版次	ECN 编码	描述		设计/日期
60	EW14080016	改前	改后	周晓峰_2014/08/19
		/	变更2.54±0.10位置	
61	EW21100011	/	更换新图框	江蒙_2021/11/08



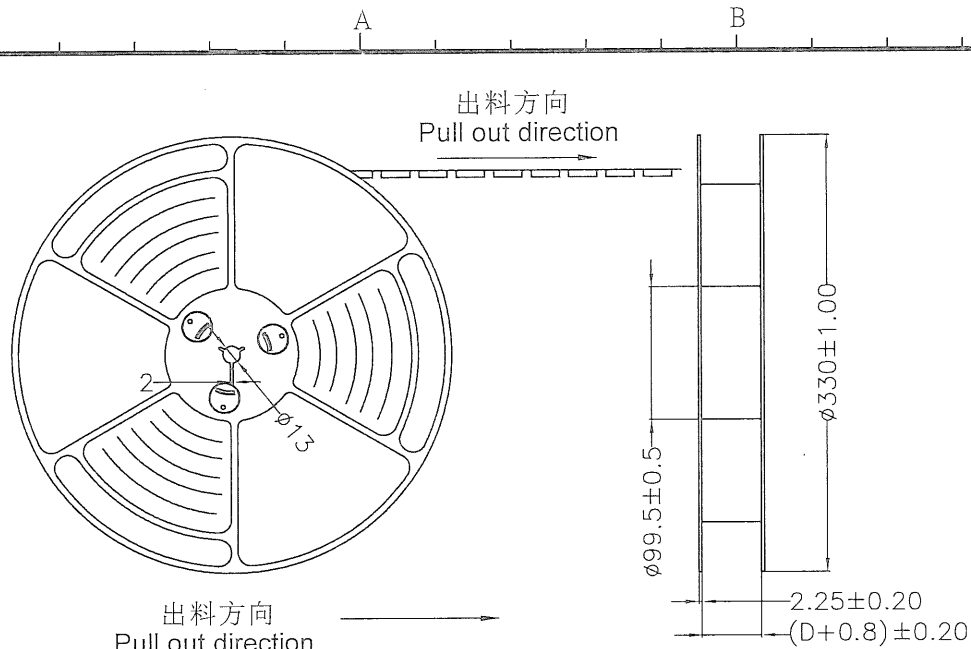
- NOTES: (Unless otherwise specified)
1. Dimension shall be interpreted per ANSI Y14.5M.
  2. Materials:  
Insulator material: High Temperature Thermoplastic, UL 94V-0;  
Contact material: Copper alloy.
  3. Current Rating: 3A.
  4. Voltage Rating: 30V AC/DC.
  5. Working Temperature: -40°C ~ +105°C.
  6. Harmful material should be compliant to doc."EI-0005" standards.
  7. Product number matrix:



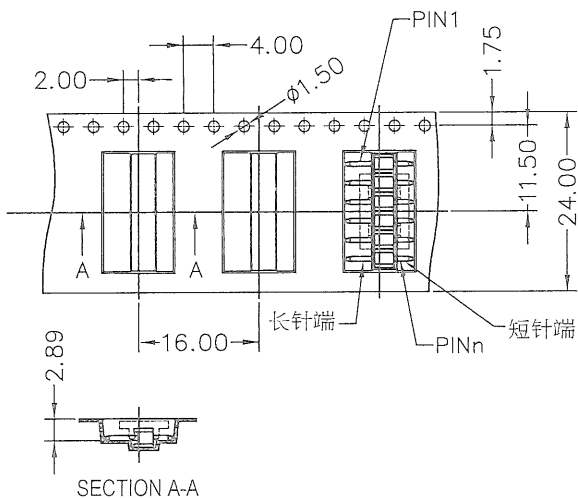
Recommended PCB Layout  
(PCB TOLERANCE ±0.05)



TOLERANCE TABLE	SCALE	4:1	DRAWN	江蒙	DATE	2021/11/08	DWG. NO.	600-0000-0155	TITLE	CUSTOMER DRAWING	REV.	61	
	X. ± 0.30	X.° ± 3°		CHECK	李昌涛	DATE		2021/11/08		PARTS NO.(INTENDED USE)	XHY-XXS-X-C/D-**-	SHEET	2/4
	.X ± 0.25	.X° ± 2°			APPROVE	万利		DATE					2021/11/08
	.XX ± 0.20				SIZE	A4							



VIEW 1

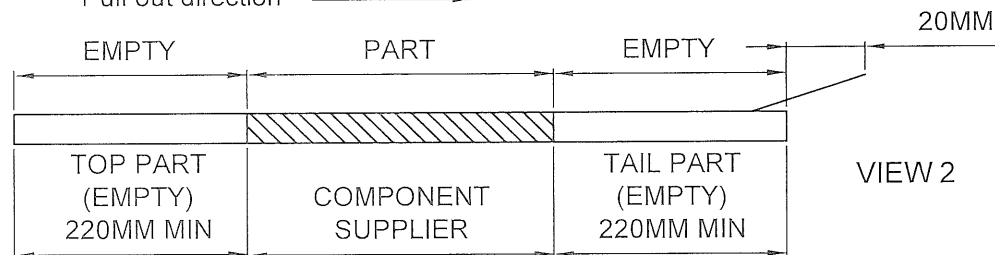


SECTION A-A

华为专用

备注 (NOTES):

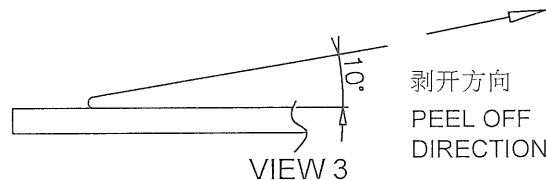
- 带子引导长度  
Lead tape length  
转绕方向  
Pull out direction



VIEW 2

- 上带剥拉力为: 0.2~1.3N (20gf~130gf)  
Peeling off force of top tape :0.2~1.3N(20gf~130gf)

出货运输过程中一定注意: 卷带在运输过程中不能散开  
This requirement should be applied at shipment:  
The reel tape can not be separated during transportation.



VIEW 3



TOLERANCE TABLE	
XX. ±	XXX. ±
X. ± 0.40	.XXX ±
.X ± 0.25	X.° ± 3°
.XX ± 0.15	.X.° ± 2°

SCALE	1 : 1
UNIT	mm
SIZE	A4

DRAWN	江蒙
CHECK	李晨涛
APPROVE	石印

DATE	2021/11/08
DATE	2021/11/08
DATE	2021/11/08

DWG. NO.	600-0000-0155
PARTS NO. (INTENDED USE)	XHY-XXS-X-C/D.*

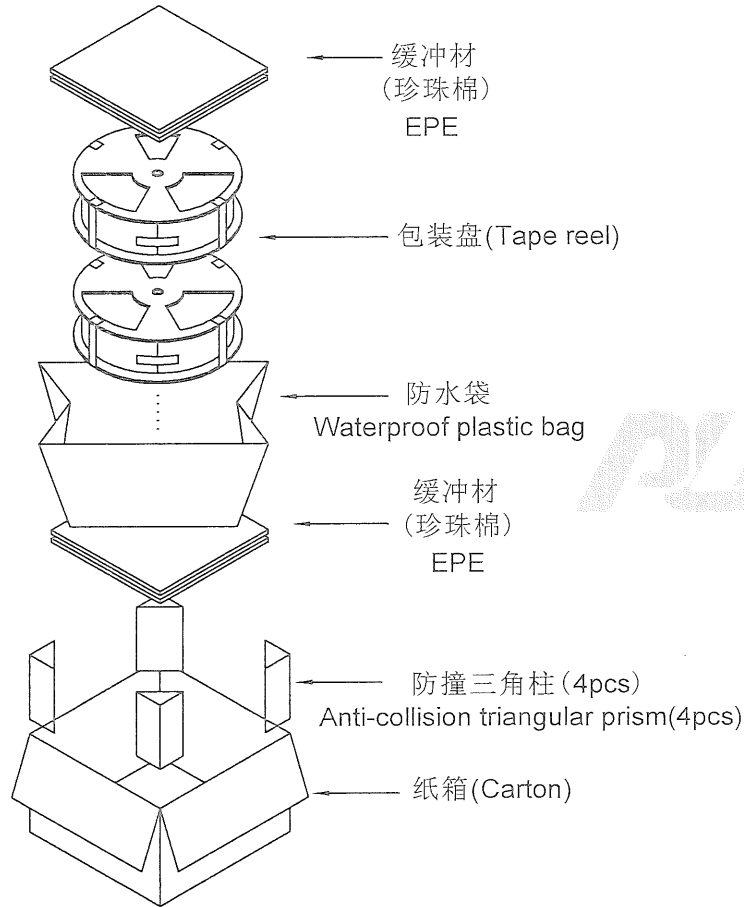
TITLE	CUSTOMER DRAWING
-------	------------------

REV.	61
SHEET	3/4

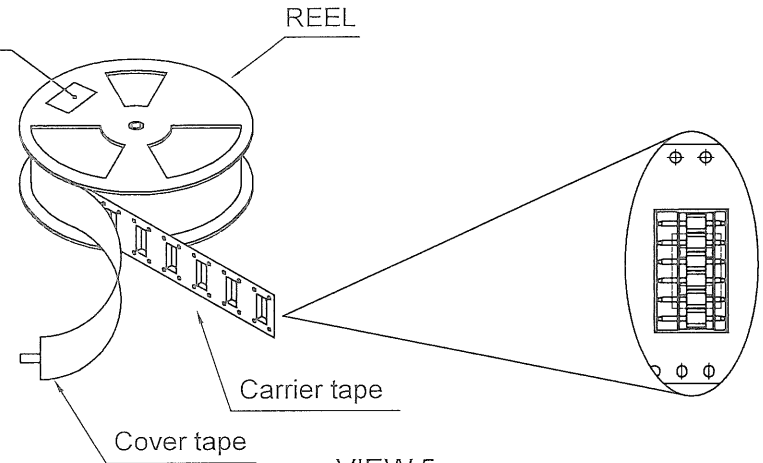
REV.	61
SHEET	3/4

华为专用

标签黏贴处(朝卷装包材的小定位孔一侧)  
Location of label sticking (label at small positioning hole of the carrier tape side)



VIEW 4



VIEW 5

备注(NOTES):

1. 每卷包装数量及每箱装箱数量如下表格。  
Packing q'ty of each reel & carton as below table shown.
2. 上胶带覆盖下包装带用自粘包装。  
Use cover tape to cover and seal up.
3. 每个纸箱放2个珍珠棉。  
Every carton use 2pcs EPE.
4. 将装满产品的卷盘放入纸箱以胶带封口。  
Put reels in the carton and use adhesive tape to seal up.

产品料号 (PRODUCT No.)	包装容量(Packing capacity)		
	PCS/REEL	REELS/CARTON	PCS/CARTON
XHY06SE038025XR	1000	7	7000
XHY05SE038025XR	1000	7	7000

PLASTREN	TOLERANCE TABLE		SCALE 1:1	DRAWN 江蒙	DATE 2021/11/08	DWG. NO. 600-0000-0155	TITLE CUSTOMER DRAWING	REV. 61
	X ± 0.30	X° ± 3°	UNIT mm	CHECK 李昌野	DATE 2021/11/08			PARTS NO.(INTENDED USE) XHY-XXS-X-C/D-**-*
	.X ± 0.25	.X° ± 2°	SIZE A4	APPROVE 李昌野	DATE 2021/11/08			
	.XX ± 0.20							