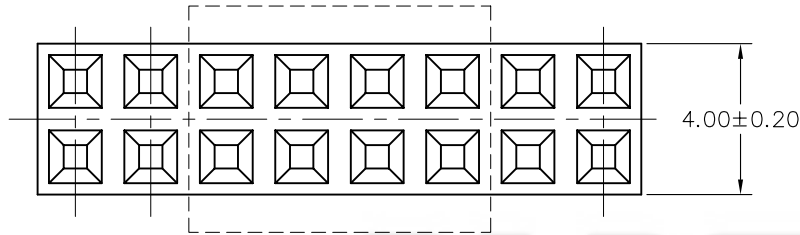
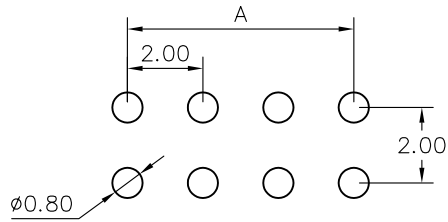


A B C D E

Rev.	ECN Number	Description	Drawn
7	CH11030119	Change Packing Quantity	Kevin_03/10'11
8	CH11060016	Clerical errors	Kevin_06/04'11

Recommended P.C.Board Hole Layout  
(PCB TOLERANCE ±0.05)

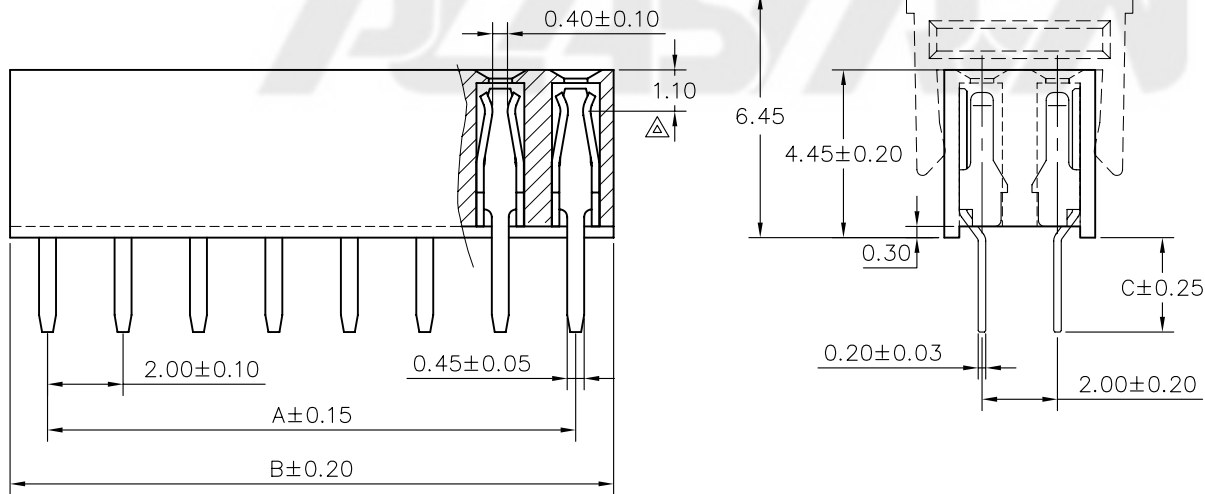


NOTES: (UNLESS OTHERWISE SPECIFIED)

1. INSERTION FORCE: 200gf MAX. PER CONTACT.
2. WITHDRAW FORCE: 20gf MIN. PER CONTACT.
3. DURABILITY: 50 CYCLES MIN..
4. CONTACT RETENTION FORCE: 250gf MIN. PER CONTACT.
5. CURRENT RATING: 1 AMPERE.
6. CONTACT RESISTANCE: 20 m ohms MAX. FOR INITIAL.
7. DIELECTRIC WITHSTANDING VOLTAGE: 500V AC rms. PER ONE MINUTE.
8. INSULATION RESISTANCE: 1000 M ohms MIN..
9. HARMFUL MATERIAL SHOULD BE COMPLIANT TO DOC. "EI-0005" STANDARDS.
10. DIMENSION SHALL BE INTERPRETED PER ANSI Y14.5-1994.
11. PRODUCT NUMBER MATRIX: PTFZ-XXS3-X-C-\*-\*

No. of Contacts  
Straight  
Contact Plating  
NULL: TUBE(W/O PAD)  
R: PAD+REEL  
NULL: With Halogen  
H: Halogen Free  
PIN Length

Definition	Code				
⊙ Tin plated	A				
⊙ Gold plated:					
flash	B	5 μ"	D	10 μ"	E
15 μ"	F	20 μ"	G	30 μ"	J
⊙ Duplex plated					
flash	K	5 μ"	M	10 μ"	N
15 μ"	P	20 μ"	Q	30 μ"	U
⊙ Standard: B					
⊙ lead free plating					



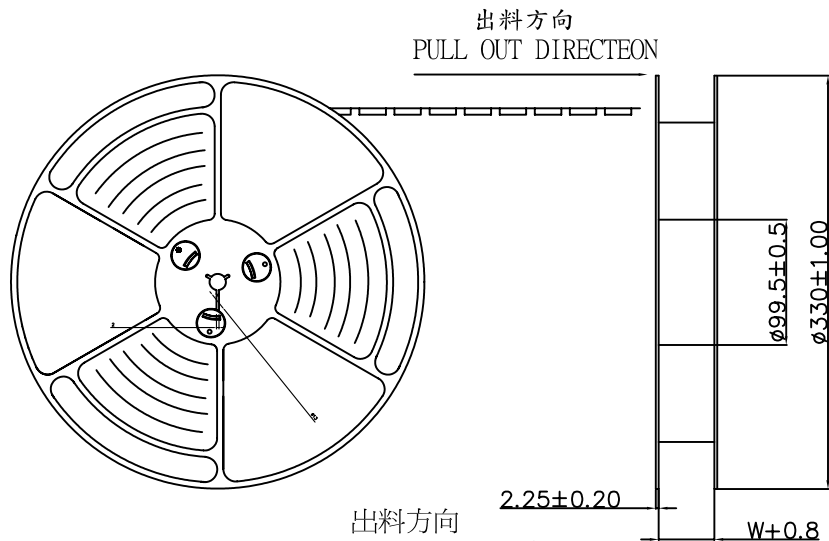
PARTS NO.	C
PTFZ-XXS3-X-014	1.40
PTFZ-XXS3-X-018	1.80
PTFZ-XXS3-X-020	2.00
PTFZ-XXS3-X-024	2.40
PTFZ-XXS3-X-026	2.60

80	78.00	80.00
78	76.00	78.00
76	74.00	76.00
74	72.00	74.00
72	70.00	72.00
70	68.00	70.00
68	66.00	68.00
66	64.00	66.00
64	62.00	64.00
62	60.00	62.00
60	58.00	60.00
58	56.00	58.00
56	54.00	56.00
54	52.00	54.00
52	50.00	52.00
50	48.00	50.00
48	46.00	48.00
46	44.00	46.00
44	42.00	44.00
42	40.00	42.00
40	38.00	40.00
38	36.00	38.00
36	34.00	36.00
34	32.00	34.00
32	30.00	32.00
30	28.00	30.00
28	26.00	28.00
26	24.00	26.00
24	22.00	24.00
22	20.00	22.00
20	18.00	20.00
18	16.00	18.00
16	14.00	16.00
14	12.00	14.00
12	10.00	12.00
10	8.00	10.00
08	6.00	8.00
06	4.00	6.00
04	2.00	4.00
No. of Contacts	A	B
	Dimension	

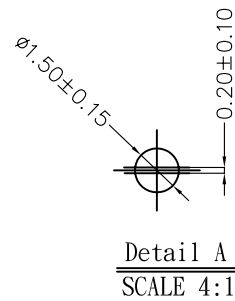
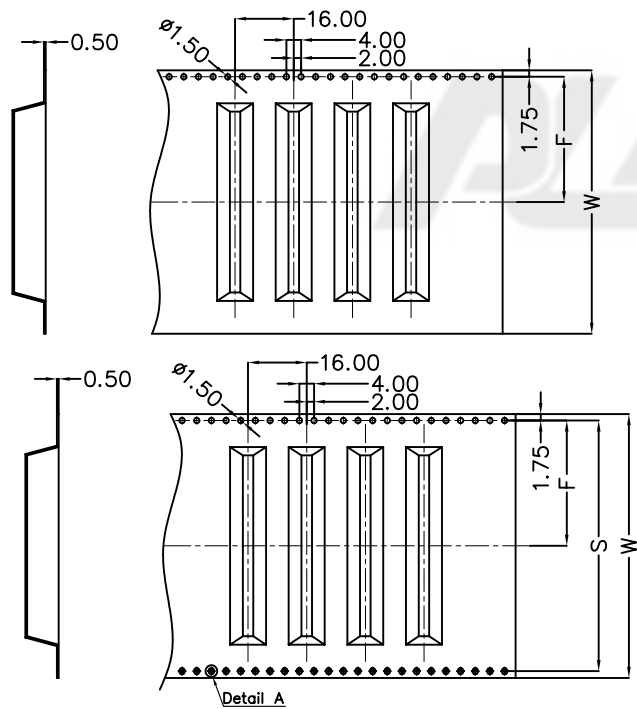
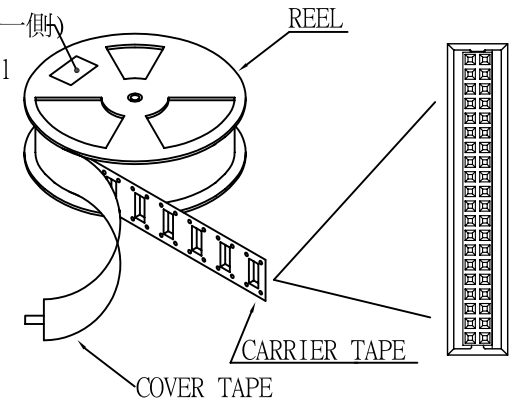


GENERAL TOLERANCE		SCALE	ORIGINAL DRAWN	DATE	DWG. NO.	TITLE	REV.
XX. ±	XXX. ±	1:1	江坤容	09/22'04	600-0000-0125	CUSTOMER DRAWING	8
X. ± 0.30	.XXX ±	UNIT	Lane Sun	06/04'11			
.X ± 0.25	.X.* ± 3°	MM			PARTS NO.(INTENDED USE)		SHEET
.XX ± 0.20	.X.* ± 2°	SIZE	Liss.Xiang	06/04'11	PTFZ-XXS3-X-C-*-*		1/3

A B C D E



標籤黏貼處 (朝捲裝包材的小定位孔一側)  
Location of label sticking (label at small positioning hole of the carrier tape side).



60	88.0	28.4	42.2	500	2	1000
58						
56						
54						
52	72.0	68.4	34.2	500	2	1000
50						
48						
46						
44						
42						
40	56.0	52.4	26.2	500	3	1500
38						
36						
34						
32						
30	44.0	40.4	20.2	500	4	2000
28						
24						
22	32.0	28.4	14.2	500	5	2500
20						
18	24.0	—	11.5	500	7	3500
16						
14						
12						
10						
08	16.0	—	7.5	500	10	5000
06						
PIN NO.	W	S	F	PCS/REEL	REELS/CARTON	PCS/CARTON
	DIM			包裝容量 (PACKING CAPACITY)		

**PLASTREN**  
PLASTRON TECHNOLOGY (SHEN ZHEN) CO., LTD.

GENERAL TOLERANCE	
XX. ±	XXX. ±
X. ± 0.30	.XXX ±
.X ± 0.25	X.* ± 3°
.XX ± 0.20	.X.* ± 2°

SCALE	1:1
UNIT	MM
SIZE	A4



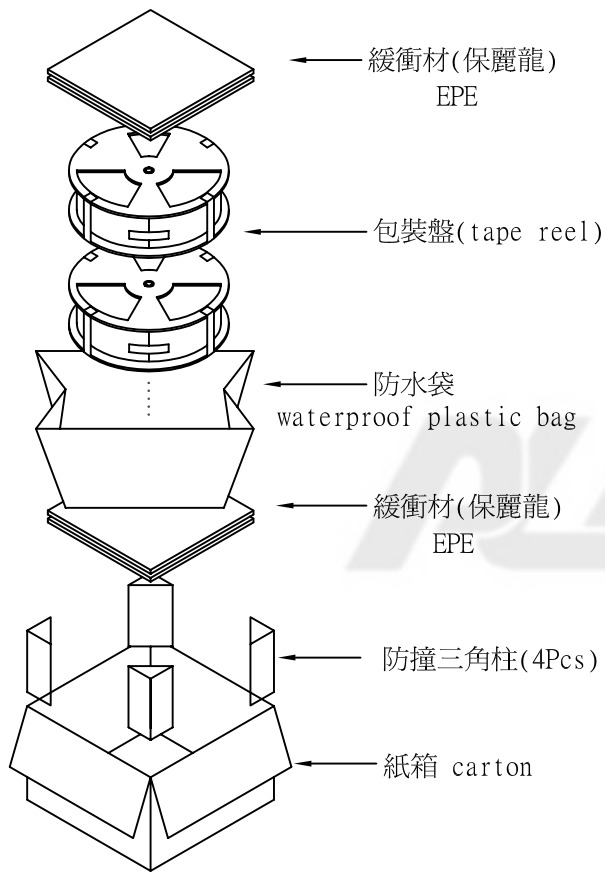
ORIGINAL DRAWN 江坤容  
CHECK Lane Sun  
APPROVE Liss.Xiang

DATE 09/22'04  
DATE 06/04'11  
DATE 06/04'11

DWG. NO. 600-0000-0125  
PARTS NO.(INTENDED USE) PTFZ-XXS3-X-C-\*

TITLE  
CUSTOMER DRAWING

REV. 8  
SHEET 2/3



NOTES

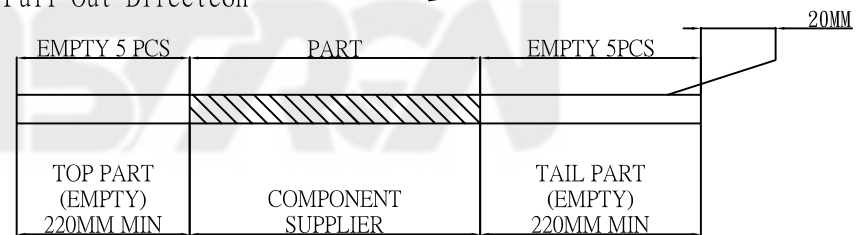
1. 每捲包裝數量及每箱裝箱數量如上表格。  
Packing q'ty of each reel & carton as up table shown.

2. 以上膠帶覆蓋下包裝帶經包裝機熱熔包裝  
Use cover tape to cover and hot melt machine to seal up.

3. 每個紙箱放2個珍珠棉  
Every carton use 2pcs Epe

4. 將裝滿產品的卷盤放入紙箱并以膠帶封口  
Put reels in the carton and use adhesive tape to seal up.

5. 帶子引導長度  
Lead Tape Length  
轉繞方向  
Pull Out Directeon



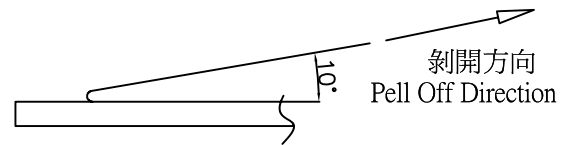
6. 上帶剝力力為：0.1~1.3 N(10.2gf~130gf)  
Peeling Off Force Of Top Tape:0.1~1.3N(10.2gf~130gf)

出貨'運輸過程中一定注意：

This Requirement Should Be Applied At Shipment:

卷帶在運輸過程中不能散開

Peeling Off Should Not Be Allowed During Transportation



PLASTREN TECHNOLOGY (SHEN ZHEN) CO., LTD.

GENERAL TOLERANCE		SCALE	ORIGINAL DRAWN	DATE	DWG. NO.	TITLE	REV.
XX. ±	XXX. ±	1:1	江坤容	09/22'04	600-0000-0125	CUSTOMER DRAWING	8
X. ± 0.30	.XXX ±	UNIT	Lane Sun	06/04'11			PARTS NO.(INTENDED USE)
.X ± 0.25	X.* ± 3°	MM	APPROVE	06/04'11	PTFZ-XXS3-X-C-*	3/3	
.XX ± 0.20	.X.* ± 2°	SIZE A4					