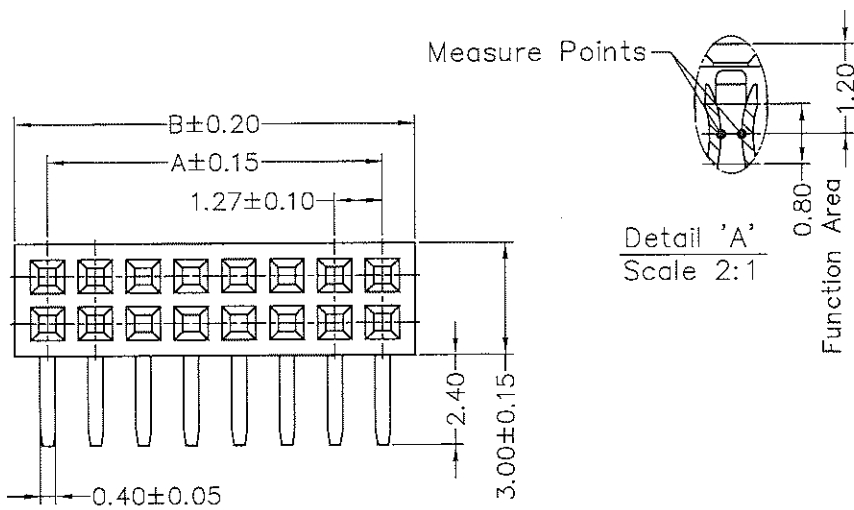
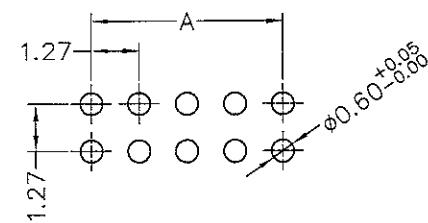
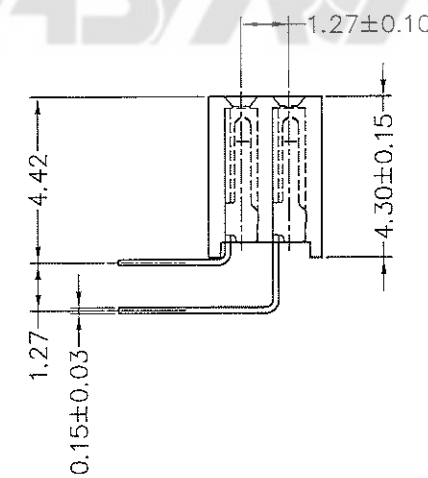
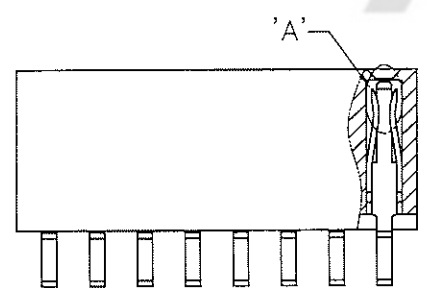


A0	62.23	63.96
98	60.96	62.69
96	59.69	61.42
94	58.42	60.15
92	57.15	58.88
90	55.88	57.61
88	54.61	56.34
86	53.34	55.07
84	52.07	53.80
82	50.80	52.53
80	49.53	51.26
78	48.26	49.99
76	46.99	48.72
74	45.72	47.45
72	44.45	46.18
70	43.18	44.91
68	41.91	43.64
66	40.64	42.37
64	39.37	41.10
62	38.10	39.83
60	36.83	38.56
58	35.56	37.29
56	34.29	36.02
54	33.02	34.75
52	31.75	33.48
50	30.48	32.21
48	29.21	30.94
46	27.94	29.67
44	26.67	28.40
42	25.40	27.13
40	24.13	25.86
38	22.86	24.59
36	21.59	23.32
34	20.32	22.05
32	19.05	20.78
30	17.78	19.51
28	16.51	18.24
26	15.24	16.97
24	13.97	15.70
22	12.70	14.43
20	11.43	13.16
18	10.16	11.89
16	8.89	10.62
14	7.62	9.35
12	6.35	8.08
10	5.08	6.81
08	3.81	5.54
06	2.54	4.27
04	1.27	3.00
No. of contacts	A	B



Detail 'A'
Scale 2:1



Recommended PCB layout
(PCB TOLERANCE: ±0.05)

版次	ECN 编码	描述		设计/日期
4	EW06120021	改前	改后	时伟_2006/12/08
		/	新发行	
5	EL21110086	/	更换新图框	刘恋_2021/11/20

- NOTES: (Unless otherwise specified)
- Dimension shall be interpreted per ANSI Y14.5M.
 - Materials:
Insulator material: High Temperature Thermoplastic, UL 94V-0;
Contact material: Copper alloy.
 - Current Rating: 1A.
 - Voltage Rating: 30V AC/DC.
 - Working Temperature: -40°C ~ +105°C.
 - Harmful material should be compliant to doc."EI-0005" standards.
 - Product number matrix:

QPOFZ-XXR2-X-024
Number of contacts: [] Pin Length 2.40mm
Plating code: []

Definition	Code	
☉ Tin plated:	A	
☉ Gold plated:		
flash	B	15 μ" F
10 μ"	E	30 μ" J
☉ Duplex plating:		
flash	K	15 μ" P
10 μ"	N	30 μ" U
Standard: B		



TOLERANCE TABLE	SCALE	5:1	DRAWN	刘恋	DATE	2021/11/20	DWG. NO.	600-0000-0208	TITLE	REV.
	X ± 0.30	X° ± 3°	UNIT	mm	CHECK	李晨浩	DATE	2021/11/21	CUSTOMER DRAWING	5
	.X ± 0.25	.X° ± 2°	SIZE	A4	APPROVE	刘恋	DATE	2021/11/21		SHEET
	.XX ± 0.20						PARTS NO.(INTENDED USE) QPOFZ-XXR2-X-024			