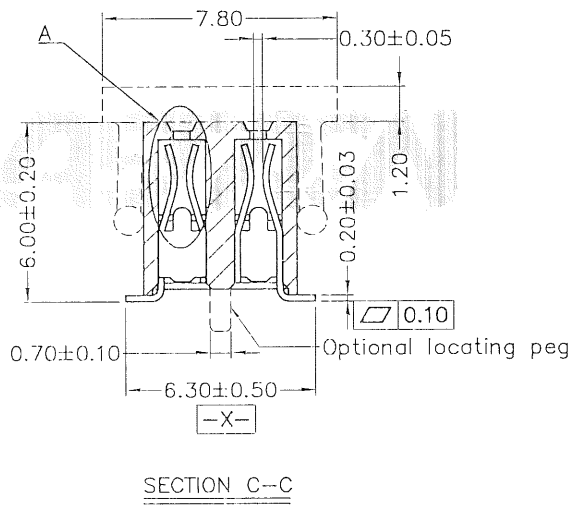
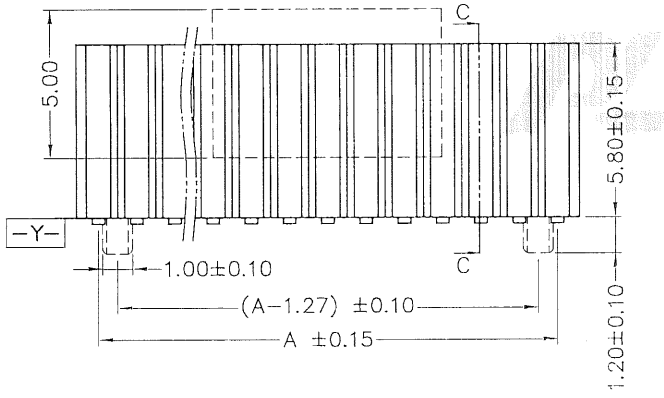
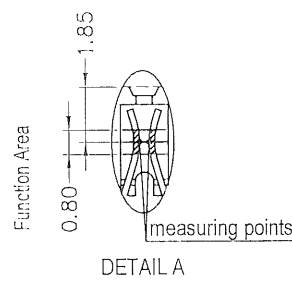
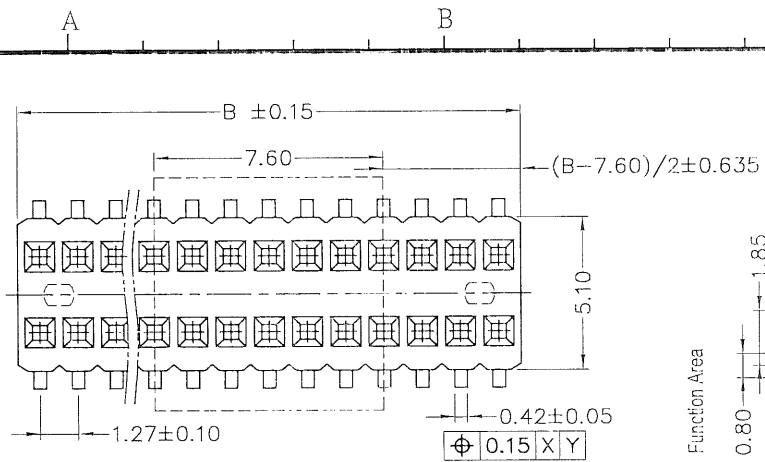


No. of Contacts	DIMENSIONS	
	A	B
6	2.54	4.01
8	3.81	5.28
10	5.08	6.55
12	6.35	7.82
14	7.62	9.09
16	8.89	10.36
18	10.16	11.63
20	11.43	12.90
22	12.70	14.17
24	13.97	15.44
26	15.24	16.71
28	16.51	17.98
30	17.78	19.25
32	19.05	20.52
34	20.32	21.79
36	21.59	23.06
38	22.86	24.33
40	24.13	25.60
42	25.40	26.87
44	26.67	28.14
46	27.94	29.41
48	29.21	30.68
50	30.48	31.95
52	31.75	33.22
54	33.02	34.49
56	34.29	35.76
58	35.56	37.03
60	36.83	38.30
62	38.10	39.57
64	39.37	40.84
66	40.64	42.11
68	41.91	43.38
70	43.18	44.65
72	44.45	45.92
74	45.72	47.19
76	46.99	48.46
78	48.26	49.73
80	49.53	51.00
82	50.80	52.27
84	52.07	53.54
86	53.34	54.81
88	54.61	56.08
90	55.88	57.35
92	57.15	58.62
94	58.42	59.89
96	59.69	61.16
98	60.96	62.43
100	62.23	63.70



版次	ECN 编码	描述		设计/日期
5	EW15080021	改前	改后	Xiaofang_2015/08/11
		/	新增包装说明	
6	EL22010006	/	更换新图框	Lisa Lin_2022/01/05

NOTES: (Unless otherwise specified)

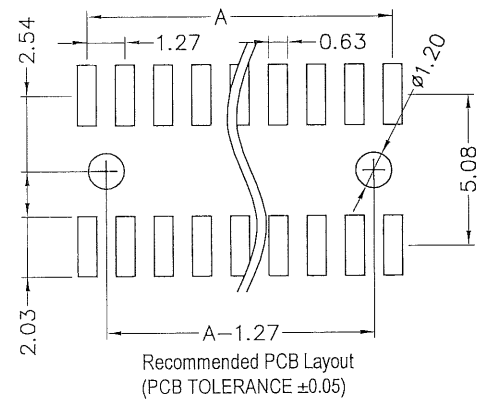
1. Dimension shall be interpreted per ANSI Y14.5M.
2. Materials:
Insulator material: High Temperature Thermoplastic, UL 94V-0; Color: Black.
Contact material: Copper Alloy
3. Current Rating: 1 A Per Pin.
4. Voltage Rating: 30V AC/DC.
5. Working Temperature: -40°C ~ +105°C.
6. Harmful material should be compliant to doc. "EI-0005" standards.
7. Product number matrix: SPRMZ-XX-X-X-*

Number of contacts

Definition	Code
◎ Tin plated :	A
◎ Gold plated :	
flash. B 15m	F
10m E 30m	J
◎ Duplex plating :	
flash. K 15m	P
10m N 30m	U
◎ Standard: B	
◎ All plating is lead free.	

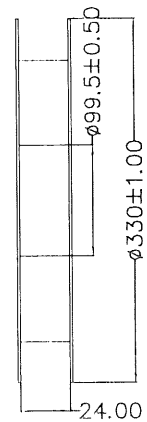
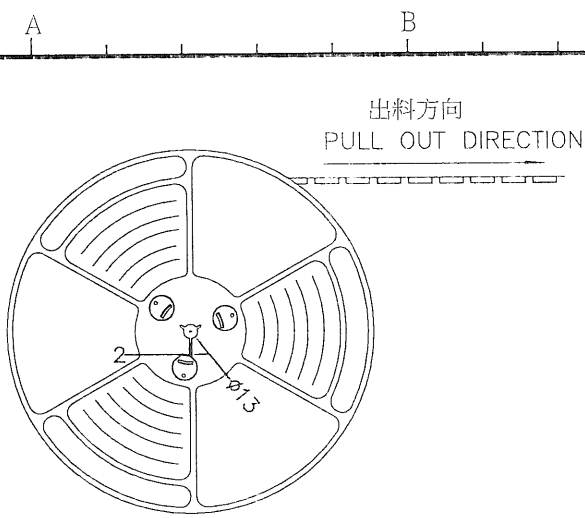
K: Reel
P: PAD+Tube
R: PAD+Reel
Null :Halogen
H:Halogen Free

0:W/O Locating peg
1:With Locating peg



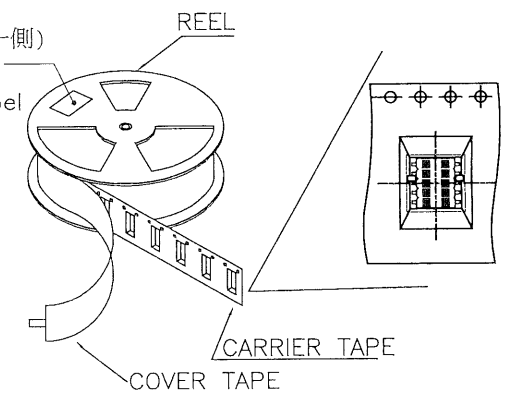
TOLERANCE TABLE		SCALE	DRAWN
X ± 0.30	X° ± 3°	4:1	Lisa Lin
.X ± 0.25	.X° ± 2°	UNIT	CHECK
.XX ± 0.20		mm	李晨涛
		SIZE	APPROVE
		A4	陈子

DATE	DWG. NO.	TITLE	REV.
2022/01/05	600-0000-0021	CUSTOMER DRAWING	6
2022/01/05	PARTS NO.(INTENDED USE)		SHEET
	SPRMZ-XX-X-X-*		1/3

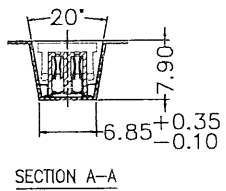
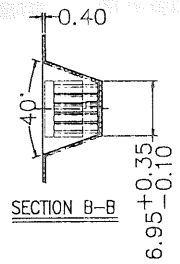
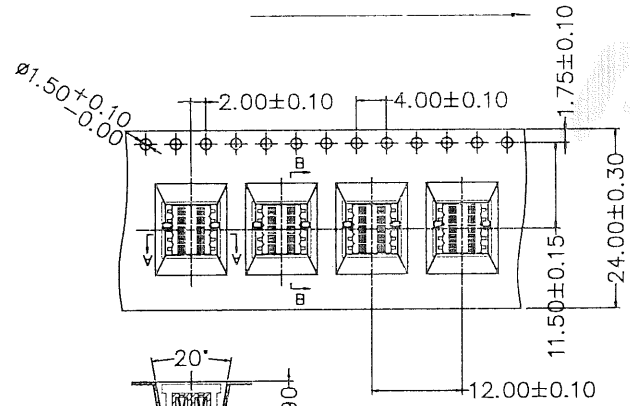


標籤黏貼處 (朝卷裝包材的小定位孔一側)

Location of label sticking (label at small positioning hole of the carrier tape side).



出料方向
PULL OUT DIRECTION



說明：包裝重量供參考用

產品料號 (PRODUCT No.)	包裝容量 (PACKING CAPACITY)			重量 WEIGHT (Kg)		
	PCS/REEL	REELS/CARTON	PCS/CARTON	N.W./PCS	N.W./CARTON	G.W./CARTON
SPRMZ-10-VB-0-R	700	7	4900	0.000348	1.7052	5.36175



TOLERANCE TABLE	
X ± 0.30	X.° ± 3°
.X ± 0.25	.X.° ± 2°
.XX ± 0.20	

SCALE	1:1
UNIT	mm
SIZE	A4

DRAWN
CHECK
APPROVE

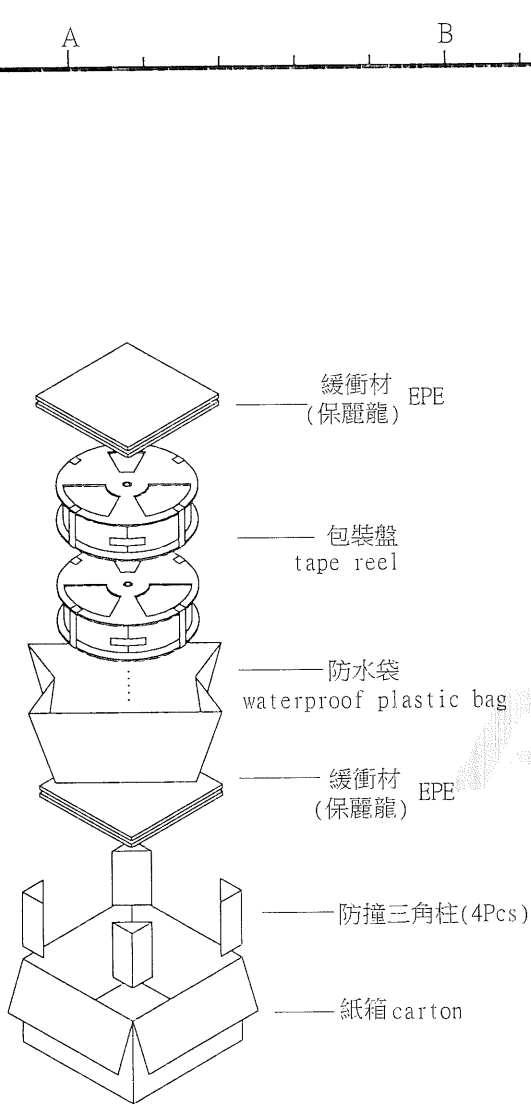
Lisa Lin
李麗清
[Signature]

DATE	2022/01/05
DATE	2022/01/05
DATE	2022/01/05

DWG. NO.	600-0000-0021
PARTS NO.(INTENDED USE)	SPRMZ-XX-X-*

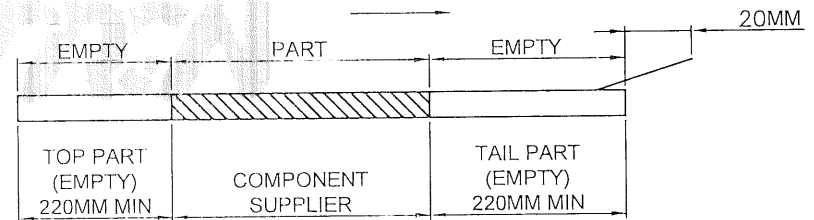
TITLE
CUSTOMER DRAWING

REV.	6
SHEET	2/3



NOTES

- 每卷包裝數量及每箱裝箱數量如上表格。
Packing q'ty of each reel & carton as up table shown.
- 以上膠帶覆蓋下包裝帶經包裝機熱熔包裝
Use cover tape to cover and hot melt machine to seal up.
- 每個紙箱放2個珍珠棉
Every carton use 2pcs EPE.
- 將裝滿產品的卷盤放入紙箱并以膠帶封口
Put reels in the carton and use adhesive tape to seal up.
- 帶子引導長度
LEAD TAPE LENGTH
轉繞方向
PULL OUT DIRECTEON



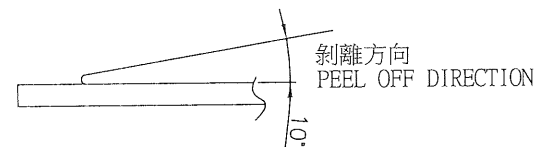
6. 上帶剝力力為：0.1~1.3 N(10.2gf~130gf)

PEELING OFF FORCE OF TOP TAPE: 0.1~1.3N(10.2gf~130gf)

出貨'運輸過程中一定注意：
THIS REQUIREMENT SHOULD BE APPLIED AT SHIPMENT:

卷帶在運輸過程中不能散開

PEELING OFF SHOULD NOT BE ALLOWED DURING TRANSPORTATION



TOLERANCE TABLE	SCALE 1:1		DRAWN	Lisa Lin	DATE	2022/01/05	DWG. NO. 600-0000-0021	TITLE CUSTOMER DRAWING	REV. 6
	X. ± 0.30	X.° ± 3°	UNIT	mm	CHECK	李晉海			DATE
	.X ± 0.25	.X° ± 2°	SIZE	A4	APPROVE	施明	DATE	2022/01/05	
	.XX ± 0.20							PARTS NO.(INTENDED USE) SPRMZ-XX-X-.*	