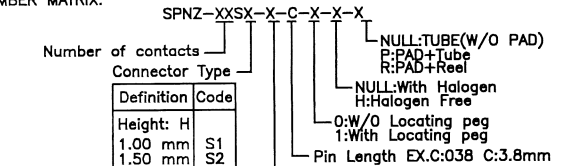
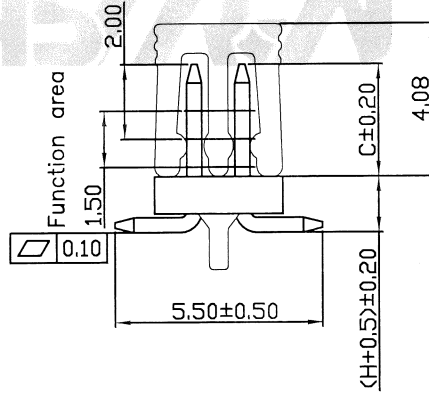
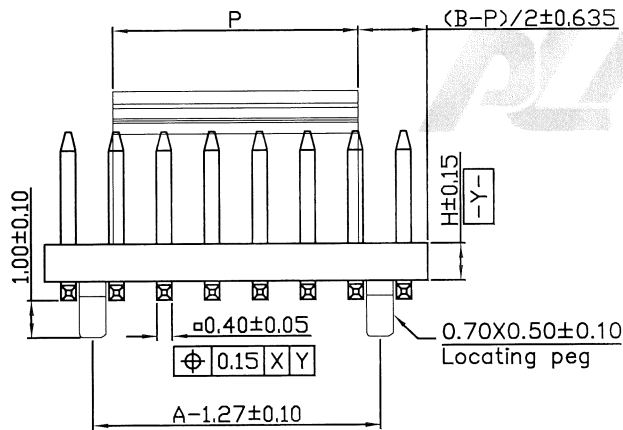
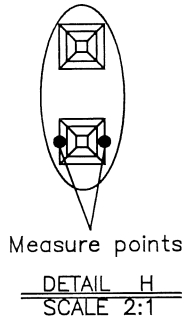
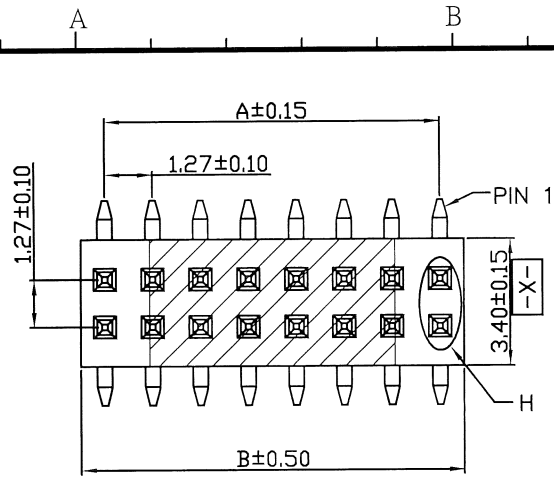
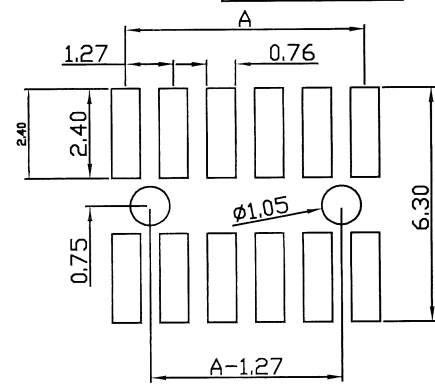


No. of Contacts	DIMENSIONS	
	A	B
06	2.54	3.81
08	3.81	5.08
10	5.08	6.35
12	6.35	7.62
14	7.62	8.89
16	8.89	10.16
18	10.16	11.43
20	11.43	12.70
22	12.70	13.97
24	13.97	15.24
26	15.24	16.51
28	16.51	17.78
30	17.78	19.05
32	19.05	20.32
34	20.32	21.59
36	21.59	22.86
38	22.86	24.13
40	24.13	25.40
42	25.40	26.67
44	26.67	27.94
46	27.94	29.21
48	29.21	30.48
50	30.48	31.75
52	31.75	33.02
54	33.02	34.29
56	34.29	35.56
58	35.56	36.83
60	36.83	38.10
62	38.10	39.37
64	39.37	40.64
66	40.64	41.91
68	41.91	43.18
70	43.18	44.45
72	44.45	45.72
74	45.72	46.99
76	46.99	48.26
78	48.26	49.53
80	49.53	50.80
82	50.80	52.07
84	52.07	53.34
86	53.34	54.61
88	54.61	55.88
90	55.88	57.15
92	57.15	58.42
94	58.42	59.69
96	59.69	60.96
98	60.96	62.23
100	62.23	63.50



Definition	Code
Height: H	
1.00 mm	S1
1.50 mm	S2
2.00 mm	S3

Definition	Code
● Tin plated :	A
● Gold plated :	
flash B 15 u" F	
10 u" E 30 u" J	
● Duplex plating	
flash K 15 u" P	
10 u" N 30 u" U	
● Standard B:	
All plating is lead free	



Recommended PCB Layout
(PCB TOLERANCE ±0.05)

版次	ECN 编码	描述		设计/日期
		改前	改后	
15	EL22080047	工作温度-40°C~+105°C	工作温度-40°C~+125°C	江蒙_2022/08/10

- NOTES: (UNLESS OTHERWISE SPECIFIED)
- DIMENSION SHALL BE INTERPRETED PER ANSI Y14.5M.
 - CONTACT RETENTION FORCE: 250g MIN. PER CONTACT.
 - CURRENT RATING: 1 AMPS.
 - DIELECTRIC WITHSTANDING VOLTAGE: 500V AC rms./MINUTE.
 - DURABILITY: 50 CYCLES MIN.
 - CONTACT RESISTANCE: 20 m ohms MAX. FOR INITIAL.
 - INSULATION RESISTANCE: 5000 Megohms MIN..
 - OPERATING TEMPERATURE: -40°C~+125°C.
 - HARMFUL MATERIAL SHOULD BE COMPLIANT TO DOC. "EI-0005" STANDARDS.
 - MATERIAL:
 - HOUSING: HIGH TEMPERATURE THERMOPLASTIC, 260C FOR 10 SECONDS, COLOR BLACK, UL 94V-0.
 - CONTACT: COPPER ALLOY
 - PRODUCT NUMBER MATRIX:

* 封装选项 *	PAD	P
8PIN以下(包含)	PAD0030	3.80
10PIN以上(包含)	PAD0012	6.50

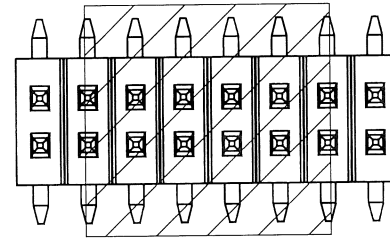
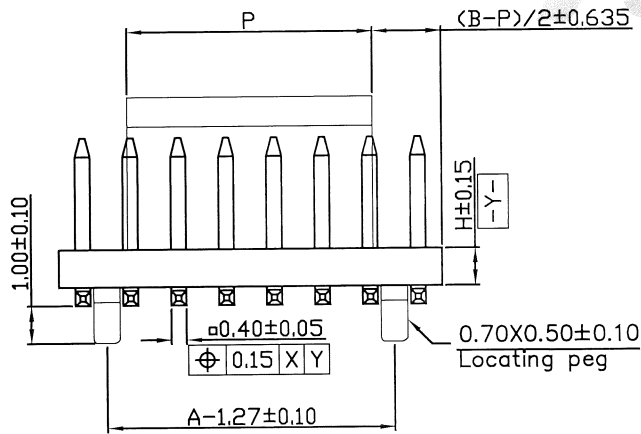
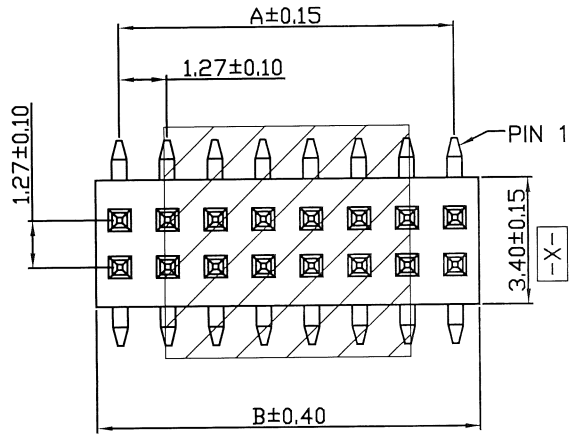
* 封装选项 *	
20PIN以下	PAD0012 6.50
20PIN以上(包含)	PAD0003 6.50
* 料号 *	*06S2/3-X-C-X-(X)-R PAD0003
	*08S1-X-C-X-(X)-R PAD0030
	*24S3-VB-030-1-R PAD0012
	*32S2-VB-030-1-R PAD0012

PARTS NO.	C
SPNZ-10SX-X-020-X-X	2.00
SPNZ-10S1-VB-020-1-R	2.50

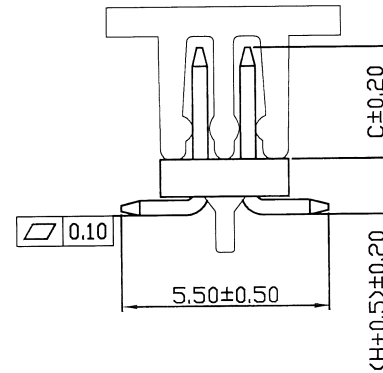
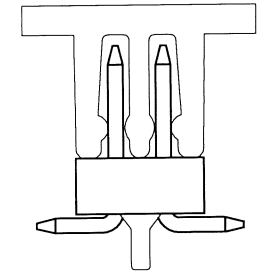
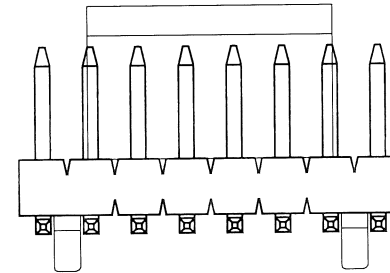
TOLERANCE TABLE	SCALE	5:1	DRAWN	江蒙	DATE	2022/08/10	DWG. NO.	600-0000-199	TITLE	CUSTOMER DRAWING	REV.	15
	UNIT	mm	CHECK	李晨涛	DATE	2022/08/10	PARTS NO.(INTENDED USE)	SPNZ-XXSX-X-C-X-X-X	SHEET	1/3		
	SIZE	A4	APPROVE	李晨涛	DATE	2022/08/10						
	.X ± 0.30	.X° ± 3°	.X ± 0.25	.X° ± 2°	.XX ± 0.20							



NOTES:
THE DRAWING WAS SHOWN FOR THE
PRODUCTS WHICH USED THE PAD0003



S2-X TYPE
S3-X TYPE

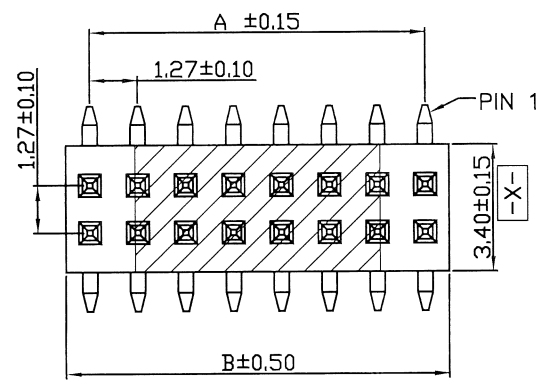


S1-X TYPE

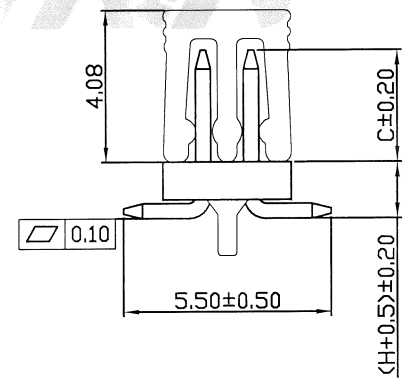
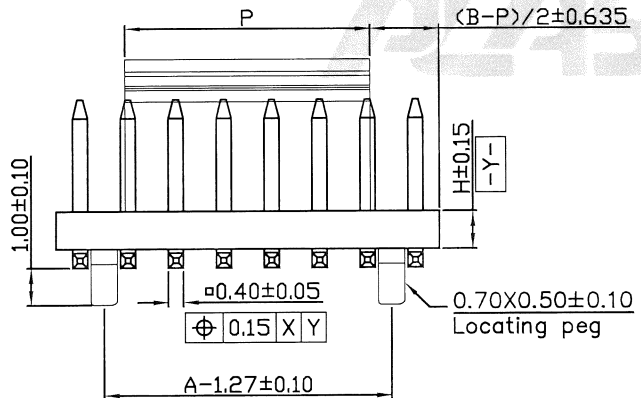


TOLERANCE TABLE	SCALE	5:1	DRAWN	江蒙	DATE	2022/08/10	DWG. NO.	600-0000-199	TITLE	REV.
	X. ± 0.30	X.° ± 3°	UNIT	mm	CHECK	李昌涛	DATE	2022/08/10	CUSTOMER DRAWING	15
	.X ± 0.25	.X° ± 2°	SIZE	A4	APPROVE	李昌涛	DATE	2022/08/10		SHEET
.XX ± 0.20							PARTS NO.(INTENDED USE)	SPNZ-XXSX-X-C-X-X-X		

A B C D E



particular specification
pin length according to customer's requirement



S2-X TYPE
S3-X TYPE



TOLERANCE TABLE	SCALE	5:1		DRAWN	江蒙	DATE	2022/08/10	DWG. NO.	600-0000-199	TITLE	REV.
	X. ± 0.30	X.° ± 3°		CHECK	李曼清	DATE	2022/08/10	PARTS NO.(INTENDED USE)			CUSTOMER DRAWING
	.X ± 0.25	.X° ± 2°		APPROVE	[Signature]	DATE	2022/08/10		SPNZ-XXSX-X-C-X-X-X		
	.XX ± 0.20	SIZE	A4			[Symbol]	3/3				

A B C D E