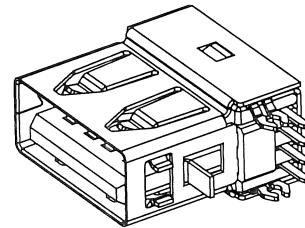
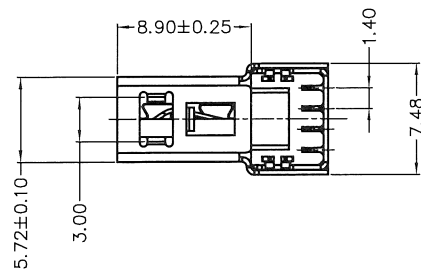
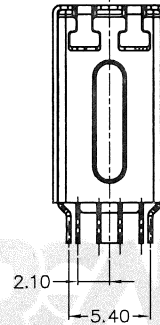
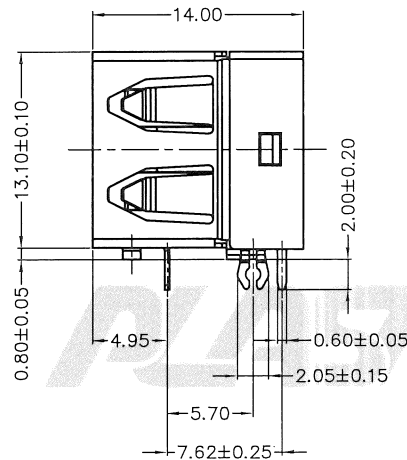
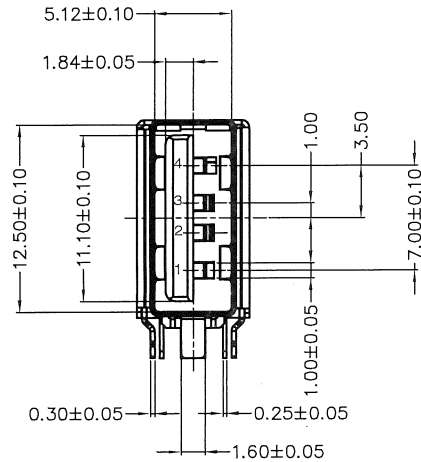


|    |            |        |    |               |
|----|------------|--------|----|---------------|
| 版次 | ECN 编码     | 描述     |    | 设计/日期         |
| 1  | EH19090005 | 初版发行   |    | 苏琴_2019/09/02 |
| 2  | EL23020042 | 改前     | 改后 | 江蒙_2023/02/17 |
|    |            | 增加公差标注 |    |               |



3D VIEW.



NOTES: (Unless otherwise specified)

- Dimension shall be interpreted per ANSI Y14.5M.
- Materials:
  - Insulator material: High Temperature Thermoplastic, UL 94V-0;Color:Black.
  - Contact material: Copper alloy.
  - Cover material: Copper alloy.
  - Shell material: Copper alloy.
- Current Rating: 1A per pin.
- Voltage Rating: 5V AC/DC.
- Working Temperature: -40°C~+105°C.
- Harmful material should be compliant to doc. "EI-0005" standards.
- Product number matrix:

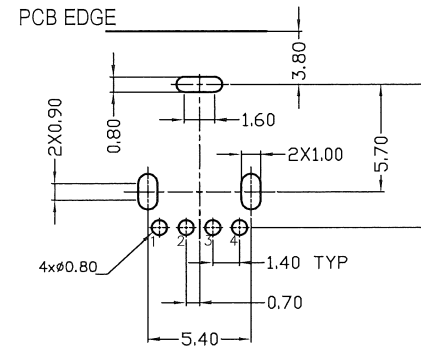
M A B D B 0 0 4 H X 0 0

4PIN

Tray

Plating Code:

| Definition      |        | Code   |
|-----------------|--------|--------|
| ◎ Tin plated    |        | A      |
| ◎ Gold plated   |        |        |
| flash           | B 15u" | F      |
|                 | 10u"   | E 30u" |
| ◎ Duplex plated |        |        |
| flash           | K 15u" | P      |
|                 | 10u"   | N 30u" |
| ◎ Standard: B   |        |        |



RECOMMENDED PCB LAYOUT



|                 |            |          |       |    |         |            |                         |       |                  |       |
|-----------------|------------|----------|-------|----|---------|------------|-------------------------|-------|------------------|-------|
| TOLERANCE TABLE | SCALE      | 2:1      | DRAWN | 江蒙 | DATE    | 2023/02/17 | DWG. NO.                | TITLE | REV.             |       |
|                 | X. ± 0.30  | X.° ± 3° | UNIT  | mm | CHECK   | 2023/02/17 | 600-0000-2019           |       | CUSTOMER DRAWING | 2     |
|                 | .X ± 0.25  | .X° ± 2° | SIZE  | A4 | APPROVE | 2023/02/17 | PARTS NO.(INTENDED USE) |       | MABDB004HX00     | SHEET |
|                 | .XX ± 0.20 |          |       |    |         |            |                         |       |                  | 1/3   |

A

B

C

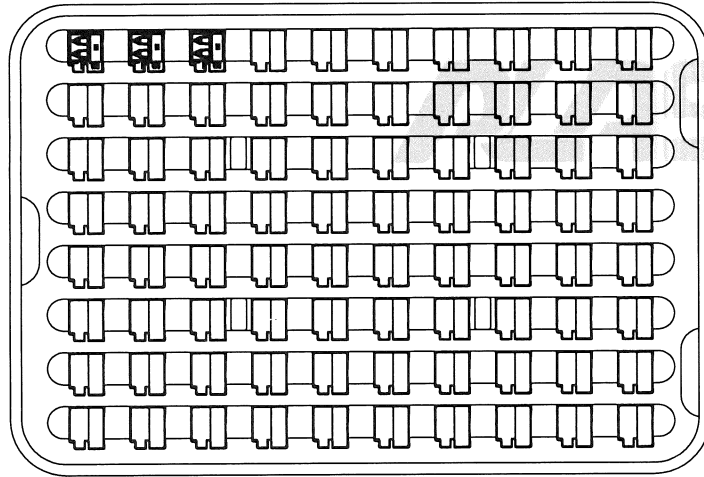
D

E

- 一.
- 1) . 将成品一一放入真空盘内, 依同一方向放入  
At same direction, put product onto the tray.
  - 2) . 包装时, 如图所示。  
Direction refers to below drawing.
  - 3) . 每个真空盘放置数量如下表格。  
Q'ty per tray as below table shown.

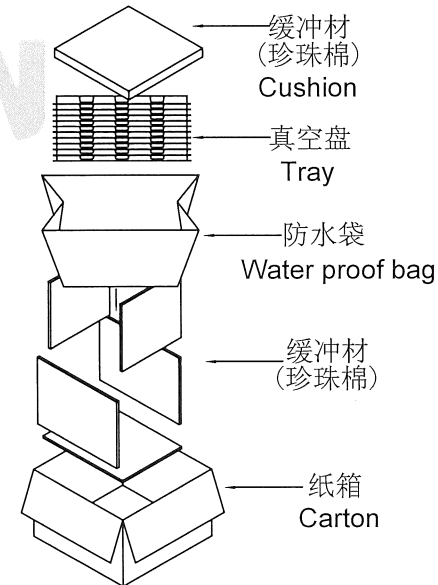
(示意图, 仅供参考)

VIEW-1



- 1) . 每个纸箱可放置真空盘数量如下表格。  
Q'ty per carton as below table shown.
- 2) . 最上面一个真空盘作为上盖, 故不放置成品。  
Put cover on the top tray to protect product.
- 3) . 每个人纸箱可放置产品数量如下表格。  
Q'ty per carton as below table shown.
- 4) . 将装满成品的真空盘上下/左右/前后六个面各放置1块珍珠棉, 用PE带捆紧后放在塑胶袋内, 装完后再封箱。  
Up and bottom of the trays with 1pcs cardboard,  
Bind the trays with PE tape and then put them into the poly bag.  
Seal the carton with tape.

VIEW-2



TOLERANCE TABLE

|            |          |
|------------|----------|
| X. ± 0.30  | X.° ± 3° |
| .X ± 0.25  | .X° ± 2° |
| .XX ± 0.20 |          |

SCALE 1:1

|      |    |
|------|----|
| UNIT | mm |
| SIZE | A4 |

DRAWN

江蒙

DATE

2023/02/17

CHECK

李景涛

DATE

2023/02/17

APPROVE

李景涛

DATE

2023/02/17

DWG. NO.

600-0000-2019

PARTS NO.(INTENDED USE)

MABDB004HX00

TITLE

CUSTOMER DRAWING

REV.

2

SHEET

2/3

A

B

C

D

E

