

A

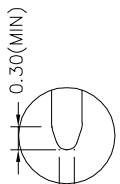
B

C

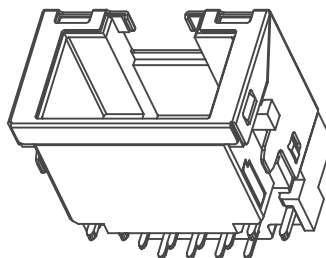
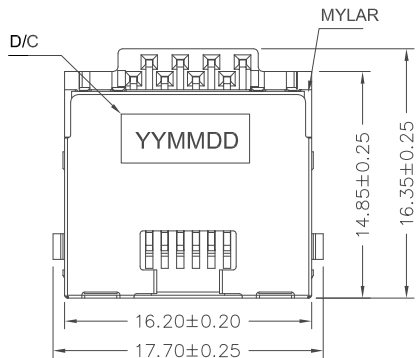
D

E

| 版次 | ECN 编码     | 描述   |    | 设计/日期         |
|----|------------|------|----|---------------|
| 1  | EL24050031 | 初版发行 |    | 潘健_2024/05/18 |
|    |            | 改前   | 改后 |               |



VIEW A SCALE 5:1



3D VIEW

NOTES :

1.MATERIAL :

1-1 : HOUSING : PA10T+35%CF(VICNYL R635NH)/PA4T ; UL 94V-0 , COLOR : BLACK

1-2 : TERMINAL : PHOSPHOR BRONZE(C5210R-EH) ; T=0.25mm TREATMENT :

1-GOLD FLASH ON CONTACT AREA , MATTE SN 50u" MIN ON SOLDER TAIL , ALL OVER NI 3Du" MIN.

1-3.8HELUSUS(201T=0.20mm , 7EATNENT : 50uN

1-5 : STOPPLE : LCP(E6808) ; UL 94V-0 , COLOR : BLACK

1-6 : DEFEND : LCP(E6808) ; UL 94V-0 , COLOR : BLACK

1-7 : MYLAR : YELLOW

2.SPECIFICATIONS :

2-1.VOLTAGE RATING : 150VAC MAX ,

2-2.CURRENT RATING : 1.5AMP MAX ,

2-3.INSULATION RESISTANCE : 500MQ MIN. AT 500V DC ,

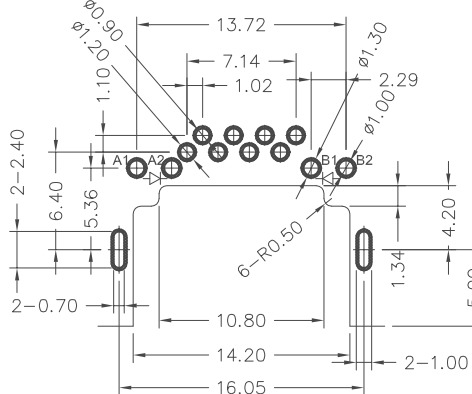
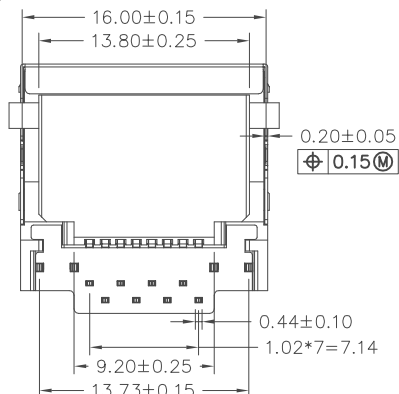
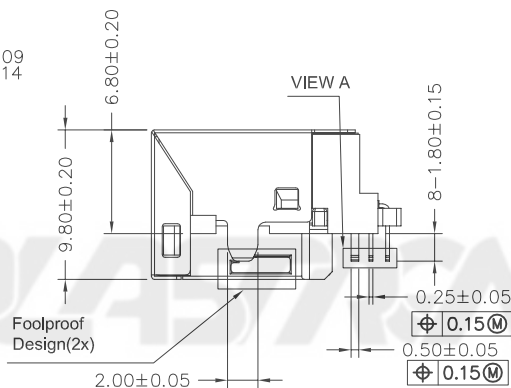
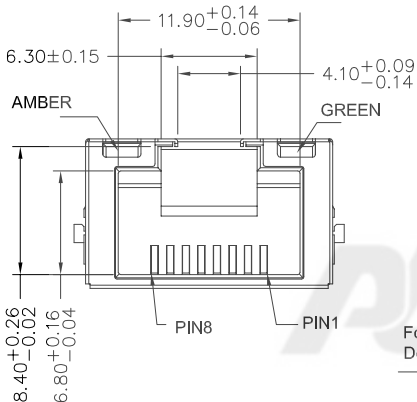
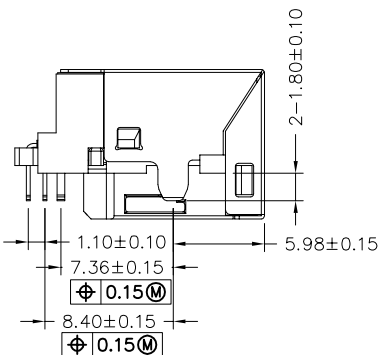
2-4.DIELECTRIC WITHSTANDING VOLTAGE :

500V AC 60HZ 1MINUTE ,

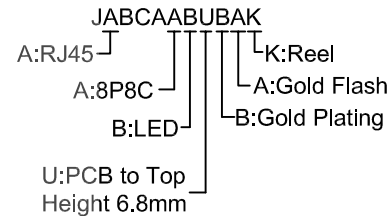
2-5.DURABILITY : 5000 CYCLES.

2-6.OPERATING TEMPERATURE : -30°C TO+70°C ,

2-7.FOR REFLOW SOLDERING LEAD-FREE PROCESS .



RECOMMENDED PCB LAYOUT



| TOLERANCE TABLE | SCALE 2:1  |           | DRAWN |  |  | DATE       |  | DWG. NO.                               | TITLE       | REV. |
|-----------------|------------|-----------|-------|--|--|------------|--|--|-------------|------|
|                 | X.± 0.30   | X.° ± 3°  | 潘健    |  |  | 2024/05/18 |  |  |             |      |
|                 | .X± 0.25   | .X.° ± 2° | 李晨涛   |  |  | 2024/05/19 |  | PARTS NO.(INTENDED USE)<br>JABCAABUBAK | SHEET       |      |
|                 | .XX ± 0.20 |           | 朱宁静   |  |  | 2024/05/19 |  |  | JABCAABUBAK | 1/1  |

A

B

C

D

E