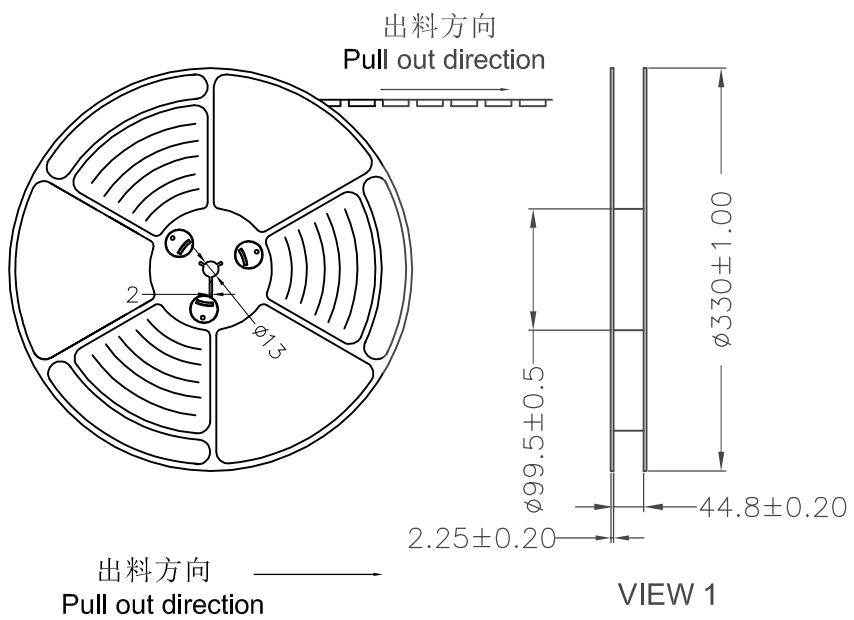


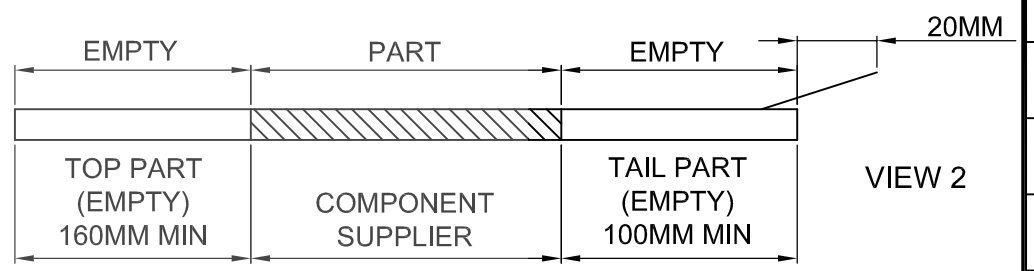


A B C D E

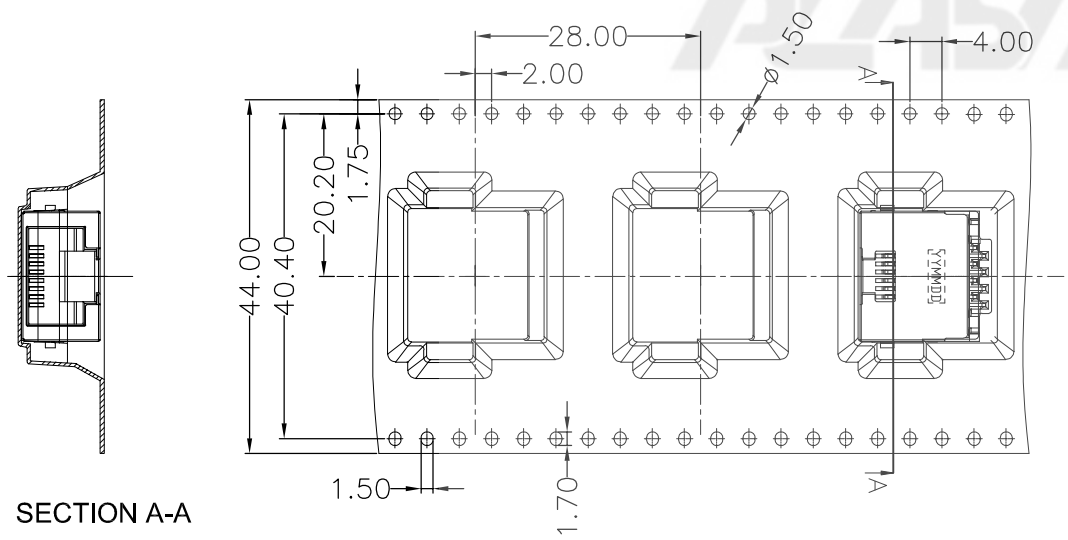
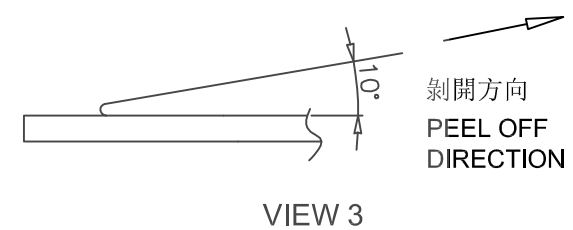


备注 (NOTES):

- 带子引导长度  
Lead tape length
- 转绕方向  
Pull out direction



- 上带剥拉力为: 0.2~1.3N(20gf~130gf)  
Peeling off force of top tape :0.2~1.3N(20gf~130gf)
- 出货运输过程中一定注意: 卷带在运输过程中不能散开  
This requirement should be applied at shipment:  
The reel tape can not be separated during transportation.



	TOLERANCE TABLE		SCALE 1:1	DRAWN 江蒙	DATE 2024/05/17	DWG. NO. 600-0000-2433	TITLE MINI RJ45 PHONE JACK (板上6.80mm) CUSTOMER DRAWING	REV. 1
	X. ± 0.30	X. ° ± 3°	UNIT mm	CHECK 李晨涛	DATE 2024/05/17			PARTS NO.(INTENDED USE)
	.X ± 0.25	.X ° ± 2°	SIZE A4	APPROVE	朱宁静	DATE 2024/05/17	JABCADUBXK	
	.XX ± 0.20							

A B C D E

A

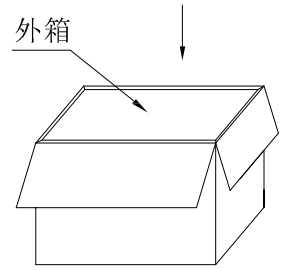
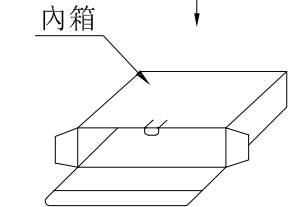
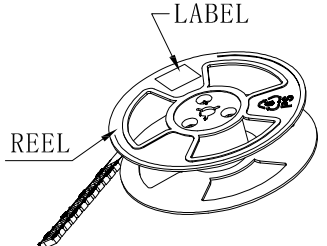
B

C

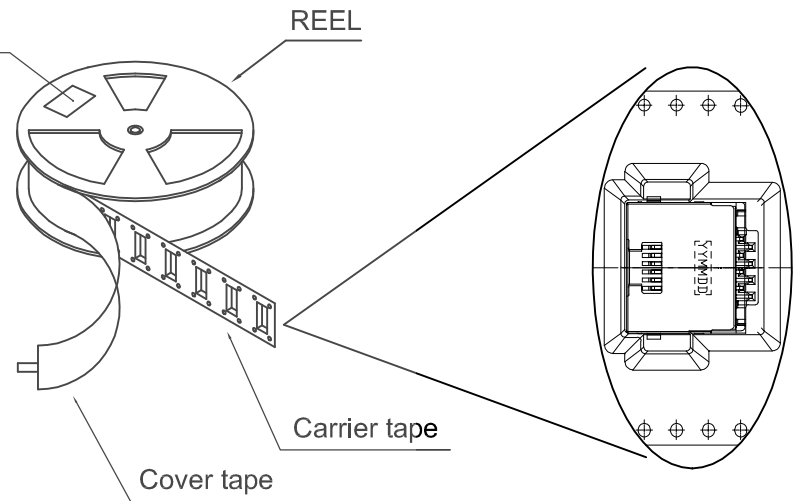
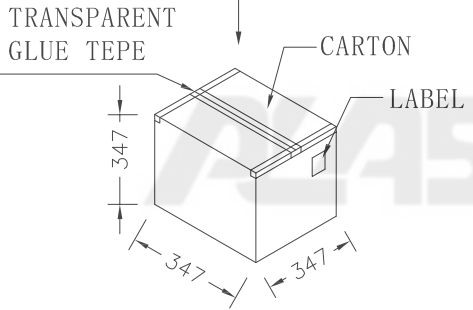
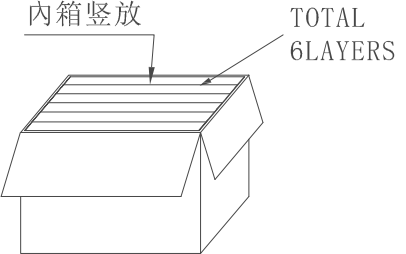
D

E

标签黏贴处(朝卷装包材的小定位孔一侧)  
 Location of label sticking (label at small positioning hole of the carrier tape side)



VIEW 4



VIEW 5

备注 (NOTES):

- 每卷包装数量及每箱装箱数量如下表格。  
Packing Q'ty of each reel & carton as below table shown.
- 上胶带覆盖下包装带用自粘包装。  
Use cover tape to cover and seal up.
- 将装满产品的卷盘放入纸箱并以胶带封口。  
Put reels in the carton and use adhesive tape to seal up.

产品料号 (Product No.)	包装数量 (Packing Quantity)		
	PCS/REEL	REELS/CARTON	PCS/CARTON
JABCADUBXK	200	6	1200



TOLERANCE TABLE	
X. ± 0.30	X.° ± 3°
.X ± 0.25	.X° ± 2°
.XX ± 0.20	

SCALE	1:1
UNIT	mm
SIZE	A4

DRAWN	江蒙
CHECK	李晨涛
APPROVE	朱宁静

DATE	2024/05/17
DATE	2024/05/17
DATE	2024/05/17

DWG. NO.	600-0000-2433
PARTS NO.(INTENDED USE)	JABCADUBXK

TITLE	MINI RJ45 PHONE JACK (板上6.80mm) CUSTOMER DRAWING
-------	---

REV.	1
SHEET	3/3

A

B

C

D

E