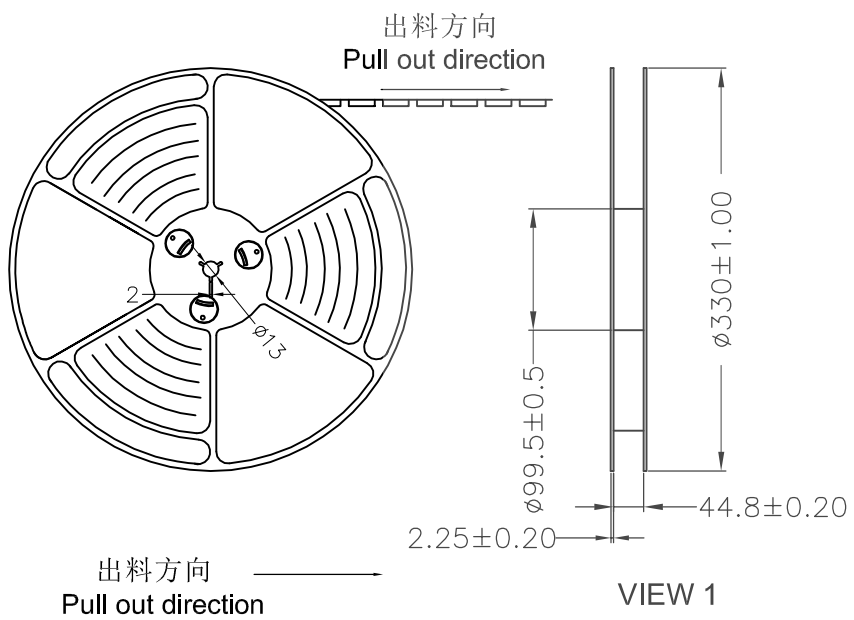
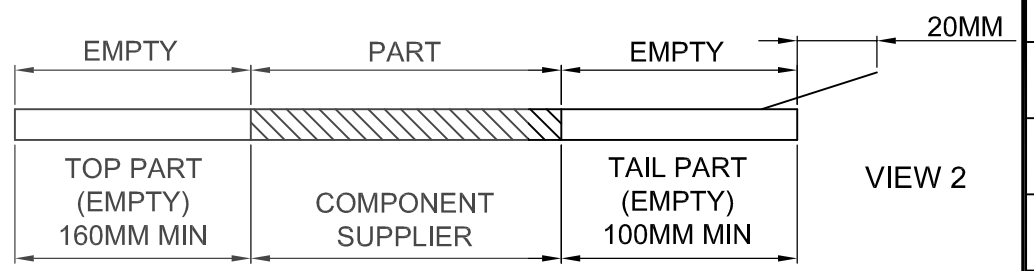


A B C D E



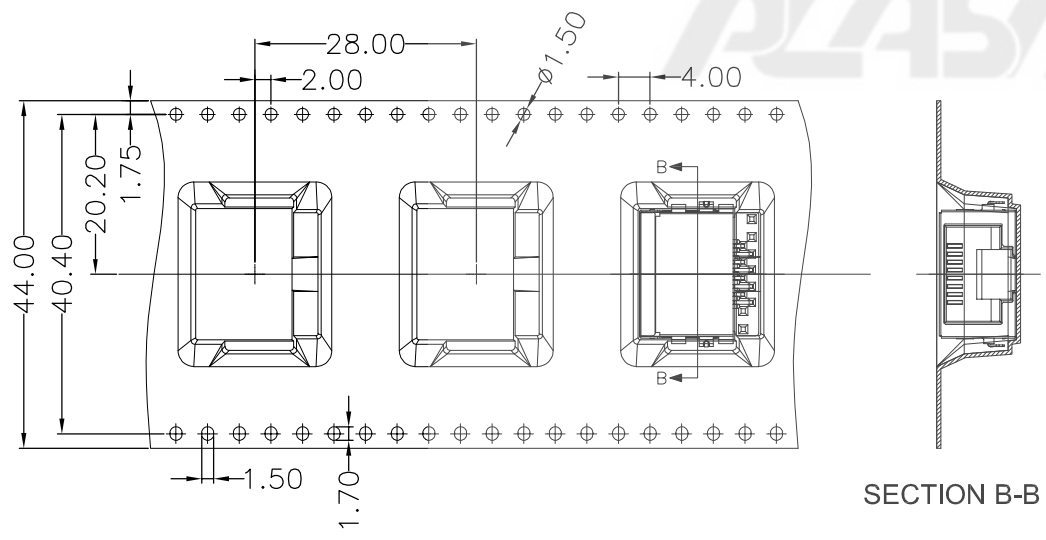
备注 (NOTES):

- 1. 带子引导长度
Lead tape length
- 转绕方向
Pull out direction



- 2. 上带剥拉力为: 0.2~1.3N(20gf~130gf)
Peeling off force of top tape :0.2~1.3N(20gf~130gf)

出货运输过程中一定注意: 卷带在运输过程中不能散开
This requirement should be applied at shipment:
The reel tape can not be separated during transportation.



PLASTREN	TOLERANCE TABLE		SCALE 1:1	DRAWN 江蒙	DATE 2024/05/17	DWG. NO. 600-0000-2432	TITLE RJ45 8P8C 板上6.95mm+栅栏 CUSTOMER DRAWING	REV. 1
	X. ± 0.30	X.° ± 3°	UNIT mm	CHECK 李晨涛	DATE 2024/05/17			PARTS NO.(INTENDED USE)
	.X ± 0.25	.X° ± 2°	SIZE A4	APPROVE 朱宁静	DATE 2024/05/17	JABCAADTBXK		
	.XX ± 0.20							

A B C D E

A

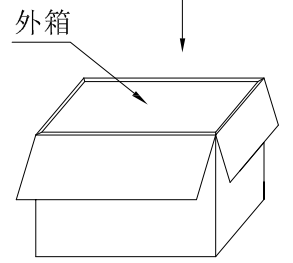
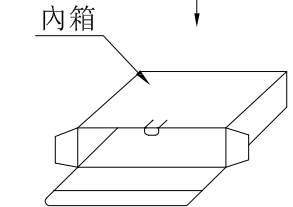
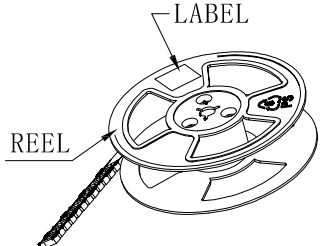
B

C

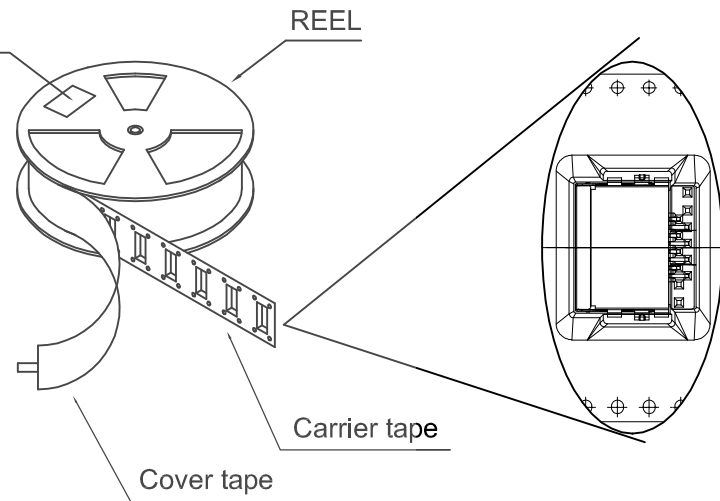
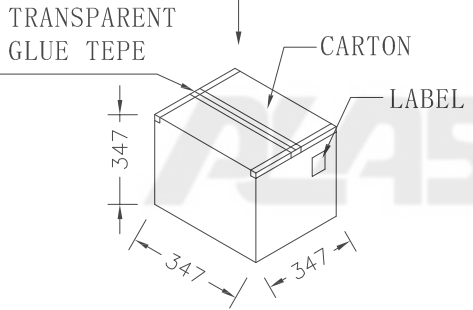
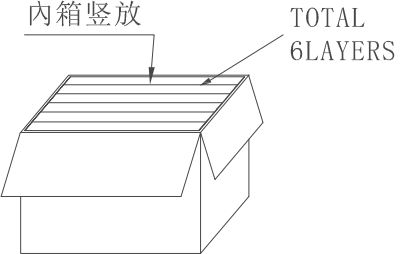
D

E

标签黏贴处(朝卷装包材的小定位孔一侧)
 Location of label sticking (label at small positioning hole of the carrier tape side)



VIEW 4



VIEW 5

备注 (NOTES):

- 1. 每卷包装数量及每箱装箱数量如下表格。
Packing Q'ty of each reel & carton as below table shown.
- 2. 上胶带覆盖下包装带用自粘包装。
Use cover tape to cover and seal up.
- 3. 将装满产品的卷盘放入纸箱并以胶带封口。
Put reels in the carton and use adhesive tape to seal up.

产品料号 (Product No.)	包装数量 (Packing Quantity)		
	PCS/REEL	REELS/CARTON	PCS/CARTON
JABCAADTBXK	200	6	1200



TOLERANCE TABLE		SCALE 1:1	DRAWN 江蒙	DATE 2024/05/17	DWG. NO. 600-0000-2432		TITLE RJ45 8P8C		REV. 1
X. ± 0.30	X. ° ± 3°	UNIT mm	CHECK 李晨涛	DATE 2024/05/17	PARTS NO. (INTENDED USE) JABCAADTBXK		板上6.95mm+栅栏		SHEET 1
.X ± 0.25	.X ° ± 2°	SIZE A4	APPROVE 朱宁静	DATE 2024/05/17			CUSTOMER DRAWING		SHEET 3/3
.XX ± 0.20									

A

B

C

D

E