

	TOLERANCE TABLE		SCALE	1:1	DRAWN	杜照鹏	DATE	2024/05/15	DWG. NO.	600-0000-XXXX	TITLE	RJ45 R/A.DIP.H8.45 CUSTOMER DRAWING	REV.	1
	X. ± 0.30	X.° ± 3°	UNIT	mm	CHECK	李晨涛	DATE	2024/05/15					PARTS NO.(INTENDED USE)	JABCADVBXK
	.X ± 0.25	.X° ± 2°	SIZE	A4	APPROVE	朱宁静	DATE	2024/05/15						
	.XX ± 0.20													

A

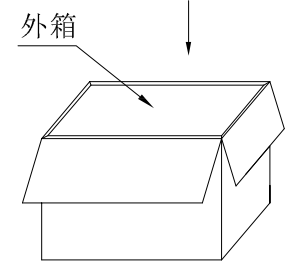
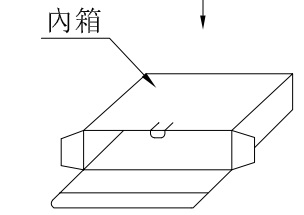
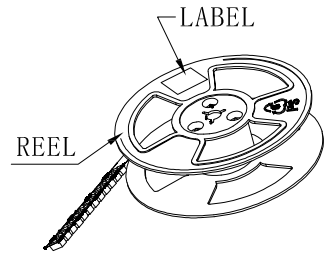
B

C

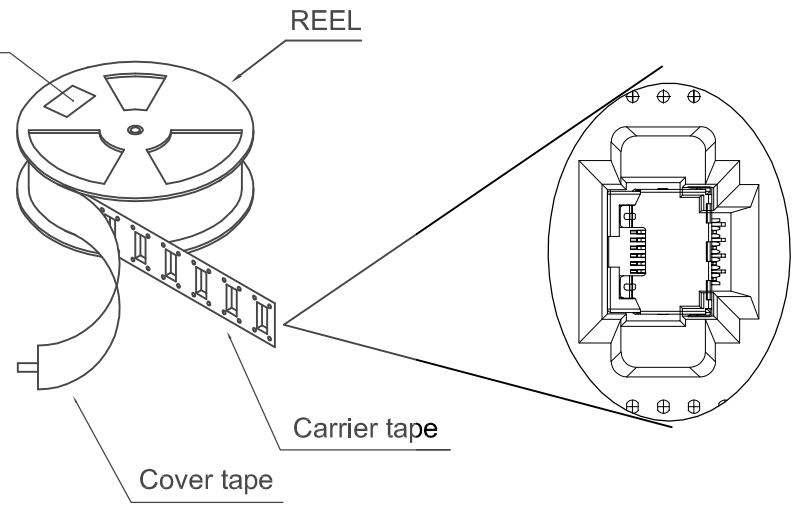
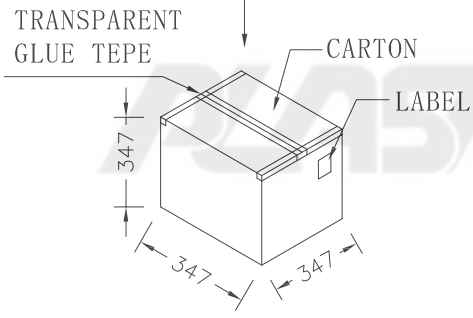
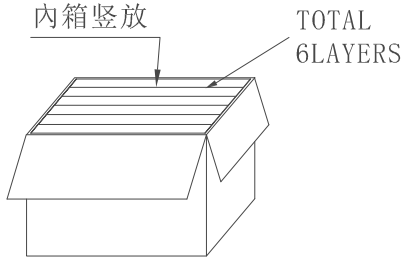
D

E

标签黏贴处(朝卷装包材的小定位孔一侧)
 Location of label sticking (label at small positioning hole of the carrier tape side)



VIEW 4



VIEW 5

备注 (NOTES):

- 1. 每卷包装数量及每箱装箱数量如下表格。
Packing Q'ty of each reel & carton as below table shown.
- 2. 上胶带覆盖下包装带用自粘包装。
Use cover tape to cover and seal up.
- 3. 将装满产品的卷盘放入纸箱并以胶带封口。
Put reels in the carton and use adhesive tape to seal up.

产品料号 (Product No.)	包装数量 (Packing Quantity)		
	PCS/REEL	REELS/CARTON	PCS/CARTON
JABCADVBXK	200	6	1200



TOLERANCE TABLE	
X. ± 0.30	X.° ± 3°
.X ± 0.25	.X° ± 2°
.XX ± 0.20	

SCALE	1:1
UNIT	mm
SIZE	A4

DRAWN	杜照鹏
CHECK	李晨涛
APPROVE	朱宁静

DATE	2024/05/15
DATE	2024/05/15
DATE	2024/05/15

DWG. NO.	600-0000-XXXX
PARTS NO.(INTENDED USE)	JABCADVBXK

TITLE	RJ45 R/A.DIP.H8.45 CUSTOMER DRAWING
-------	--

REV.	1
SHEET	3/3

A

B

C

D

E