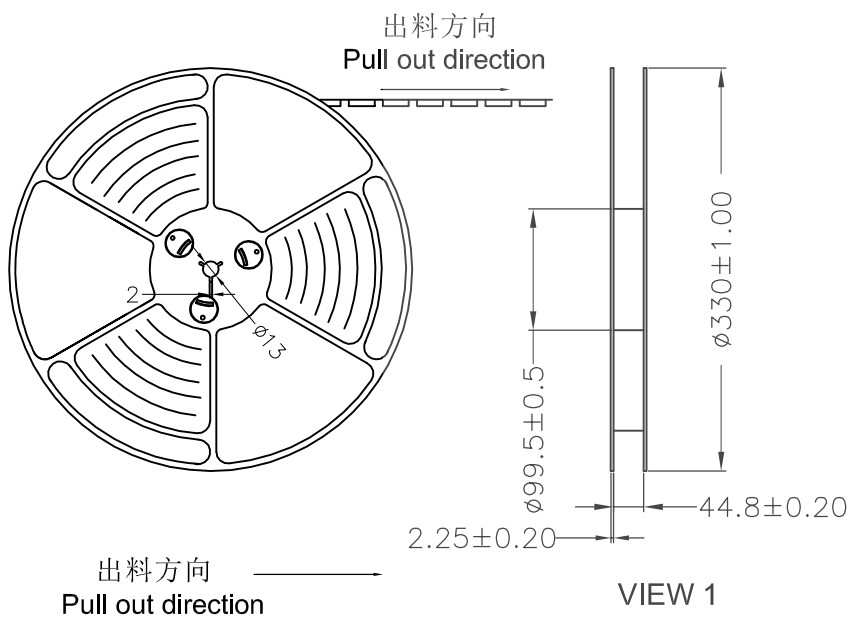
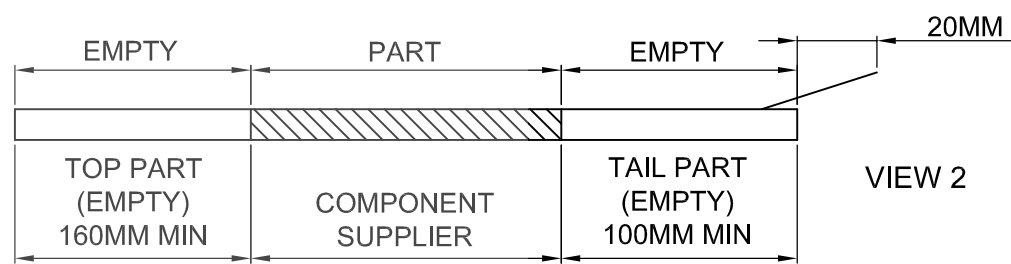


A B C D E



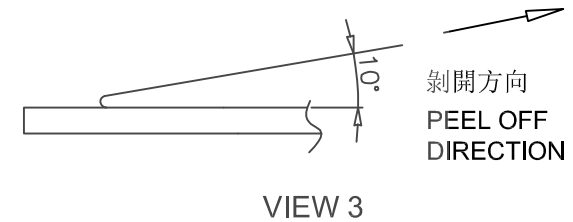
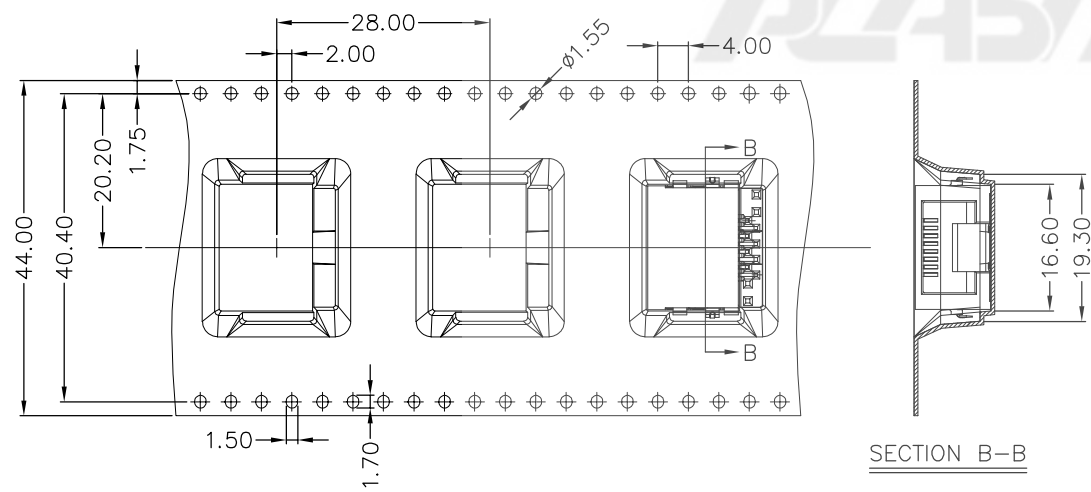
备注 (NOTES):

- 1. 带子引导长度
Lead tape length
- 转绕方向
Pull out direction



- 2. 上带剥拉力为: 0.2~1.3N(20gf~130gf)
Peeling off force of top tape :0.2~1.3N(20gf~130gf)

出货运输过程中一定注意: 卷带在运输过程中不能散开
This requirement should be applied at shipment:
The reel tape can not be separated during transportation.



| | | | | | | | | |
|----------|-----------------|----------|-----------|-------------|-----------------|------------------------|--|------------------------------------|
| PLASTREN | TOLERANCE TABLE | | SCALE 1:1 | DRAWN 杜照鹏 | DATE 2024/05/15 | DWG. NO. 600-0000-2435 | TITLE RJ45 R/A RVS 8P8C H=6.2mm CUSTOMER DRAWING | REV. 1 |
| | X. ± 0.30 | X.° ± 3° | UNIT mm | CHECK 李晨涛 | DATE 2024/05/15 | | | PARTS NO.(INTENDED USE) JABCAADWBK |
| | .X ± 0.25 | .X° ± 2° | SIZE A4 | APPROVE 朱宁静 | DATE 2024/05/15 | | | |
| | .XX ± 0.20 | | | | | | | |

A B C D E

A

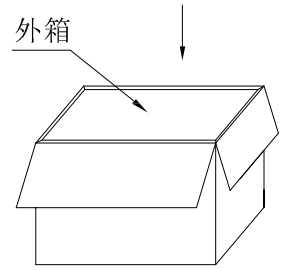
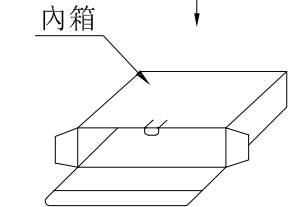
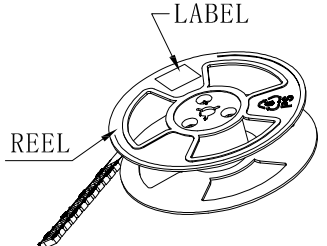
B

C

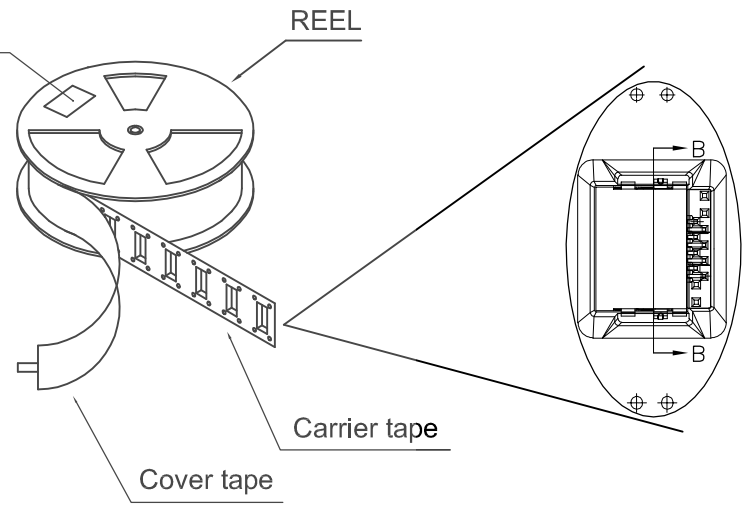
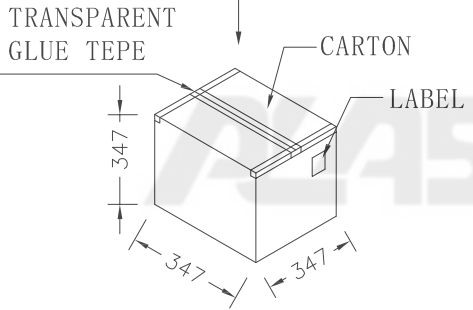
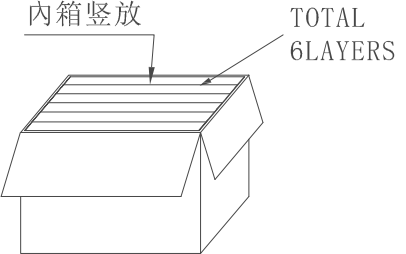
D

E

标签黏贴处(朝卷装包材的小定位孔一侧)
 Location of label sticking (label at small positioning hole of the carrier tape side)



VIEW 4



VIEW 5

备注 (NOTES):

- 每卷包装数量及每箱装箱数量如下表格。
Packing Q'ty of each reel & carton as below table shown.
- 上胶带覆盖下包装带用自粘包装。
Use cover tape to cover and seal up.
- 将装满产品的卷盘放入纸箱并以胶带封口。
Put reels in the carton and use adhesive tape to seal up.

| 产品料号 (Product No.) | 包装数量 (Packing Quantity) | | |
|-----------------------|-------------------------|--------------|------------|
| | PCS/REEL | REELS/CARTON | PCS/CARTON |
| JABCAADWBAK | 200 | 6 | 1200 |



| TOLERANCE TABLE | |
|-----------------|----------|
| X. ± 0.30 | X.° ± 3° |
| .X ± 0.25 | .X° ± 2° |
| .XX ± 0.20 | |

| | |
|-------|-----|
| SCALE | 1:1 |
| UNIT | mm |
| SIZE | A4 |

| | |
|---------|-----|
| DRAWN | 杜照鹏 |
| CHECK | 李晨涛 |
| APPROVE | 朱宁静 |

| | |
|------|------------|
| DATE | 2024/05/15 |
| DATE | 2024/05/15 |
| DATE | 2024/05/15 |

| | |
|--------------------------|---------------|
| DWG. NO. | 600-0000-2435 |
| PARTS NO. (INTENDED USE) | JABCAADWBAK |

| | |
|-------|--|
| TITLE | RJ45 R/A RVS 8P8C H=6.2mm CUSTOMER DRAWING |
|-------|--|

| | |
|-------|-----|
| REV. | 1 |
| SHEET | 3/3 |

A

B

C

D

E