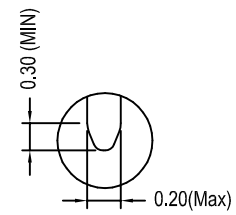
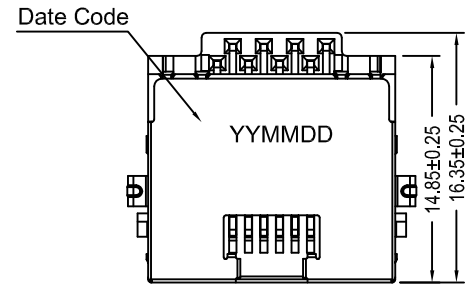


A B C D E

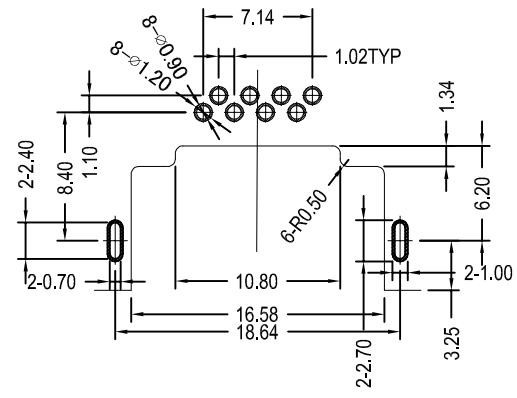
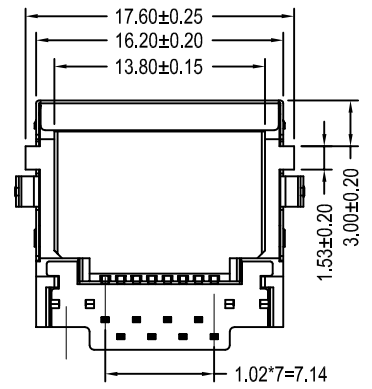
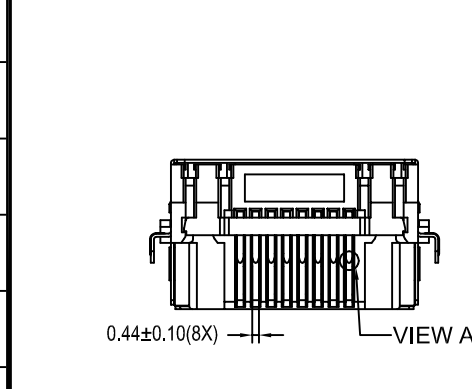
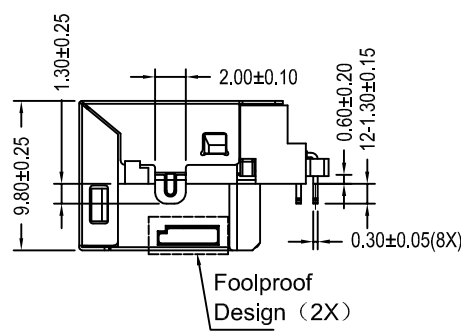
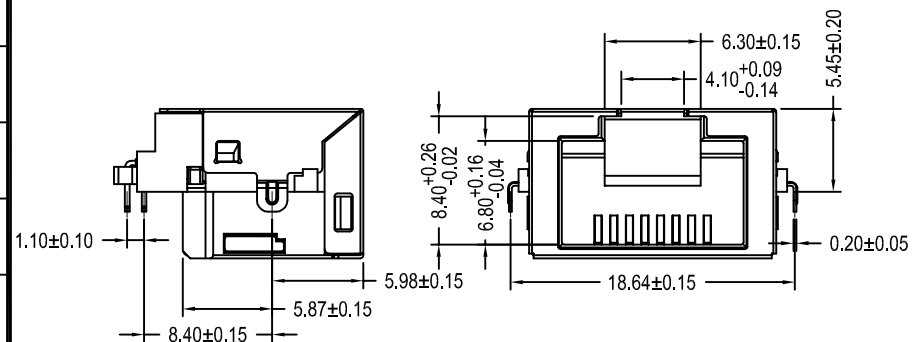
版次	ECN 编码	描述		设计/日期
1	EL24050032	初版发行		潘健_2024/05/18
		改前	改后	



VIEW A SCALE 5:1

NOTES: (Unless otherwise specified)

- MATERIAL:
  - HOUSING:PA10T+35%GF(VICNYL R635NH);UL 94V-0 COLOR:BLACK.
  - TERMINAL:PHOSPHOR BRONZE(C5210R-EH);T=0.30mm TREATMENT: GOLD FLASH ON CONTACT AREA,MATTE TIN 50u" MIN ON SOLDER TAIL,ALL OVER NICKEL 30u" MIN.
  - SHELL:SUS(201);T=0.20mm,TREATMENT:50u" NICKEL.
  - STOPPLE:LCP UL94V-0,COLOR:BLACK.
  - DEFEND:LCP UL94V-0,COLOR:BLACK.
- SPECIFICATIONS:
  - VOLTAGE RATING:150VAC MAX.
  - CORRENT RATING:1.5AMP MAX.
  - INSULATION RESISTANCE:500mΩ MIN.AT 500V DC.
  - DIELECTRIC WITHSTANDING VOLTAGE: 500V AC 60HZ 1MINUTE.
  - DURABILTY:5000 CYCLES.
  - OPERATING TEMPERATURE :-30°C TO +70°C.
  - FOR REFLOW SOLDERING LEAD-FREE RPOCESS.



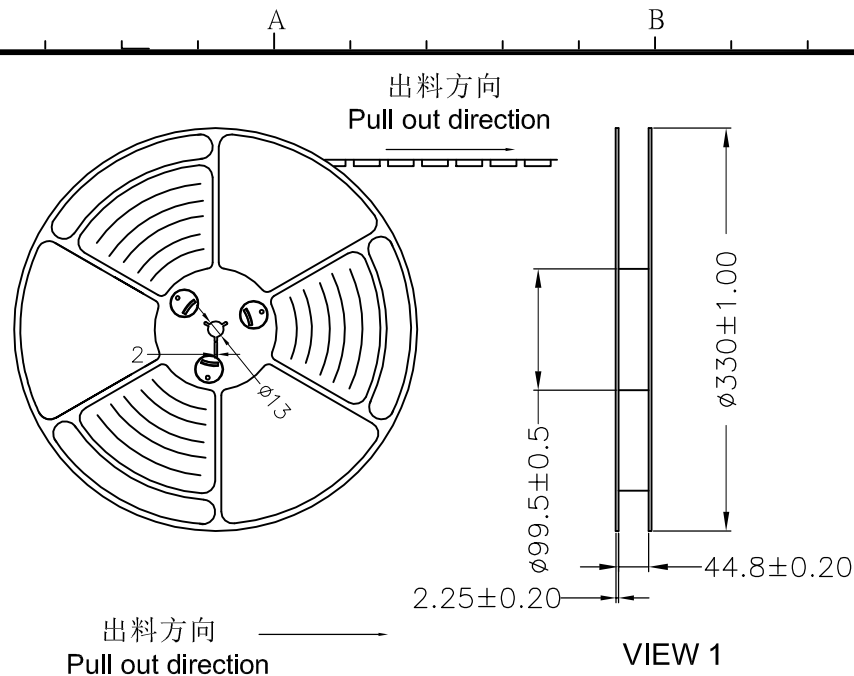
JABCAADHBXK  
A:RJ45  
A:8P8C  
H:PCB to Top Height 5.45mm  
K:Reel  
A:Gold Flash L:30U"  
B:Gold Plating

RECOMMENDED PCB LAYOUT



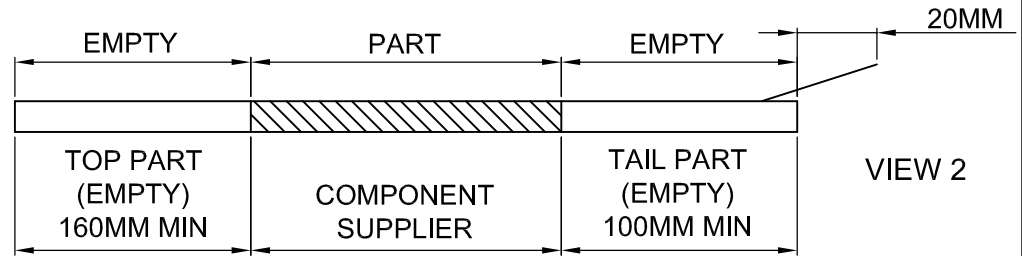
TOLERANCE TABLE		SCALE	2:1	DRAWN	潘健	DATE	2024/05/18	DWG. NO.	600-0000-2445	TITLE	REV.
X. ± 0.30	X.° ± 3°	UNIT	mm	CHECK	李晨涛	DATE	2024/05/18	PARTS NO.(INTENDED USE)	JABCAADHBXK	RJ45 R/A STD 8P8C H=5.45mm CUSTOMER DRAWING	1
.X ± 0.25	.X° ± 2°	SIZE	A4	APPROVE	朱宁静	DATE	2024/05/18				SHEET

A B C D E



备注 (NOTES):

- 带子引导长度  
Lead tape length  
转绕方向  
Pull out direction

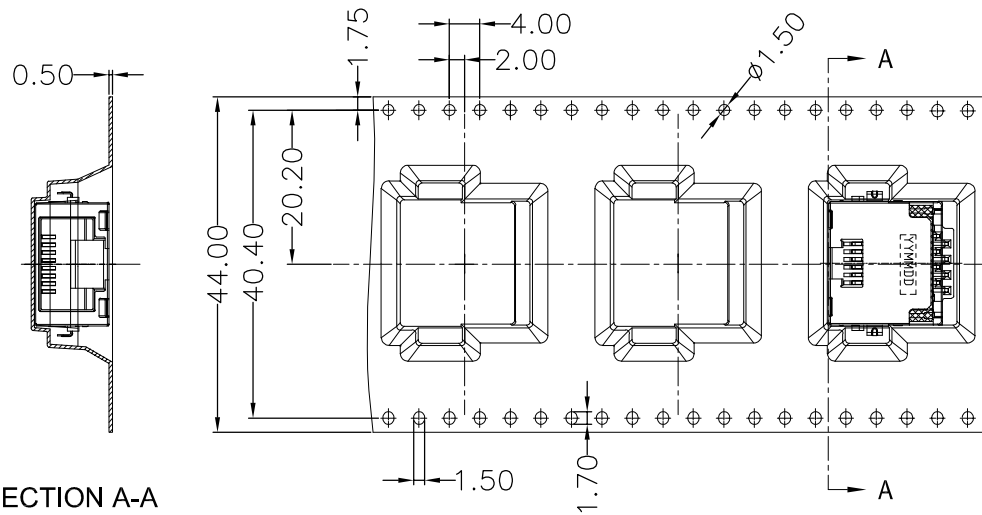


出料方向  
Pull out direction

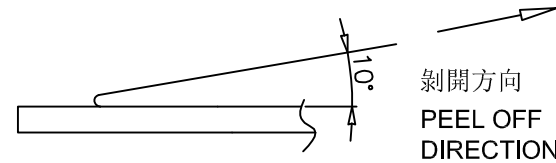
VIEW 1

- 上带剥拉力为: 0.2~1.3N(20gf~130gf)  
Peeling off force of top tape :0.2~1.3N(20gf~130gf)

出货运输过程中一定注意: 卷带在运输过程中不能散开  
This requirement should be applied at shipment:  
The reel tape can not be separated during transportation.



SECTION A-A



VIEW 3



TOLERANCE TABLE		SCALE 1:1		DRAWN		DATE		DWG. NO.		TITLE		REV.	
X. ± 0.30	X.° ± 3°	UNIT mm		CHECK		DATE		600-0000-2445		RJ45 R/A STD 8P8C H=5.45mm CUSTOMER DRAWING		1	
.X ± 0.25	.X° ± 2°	SIZE A4		APPROVE		DATE		PARTS NO.(INTENDED USE)				SHEET	
.XX ± 0.20								JABCAADHBXK					

A

B

C

D

E

A

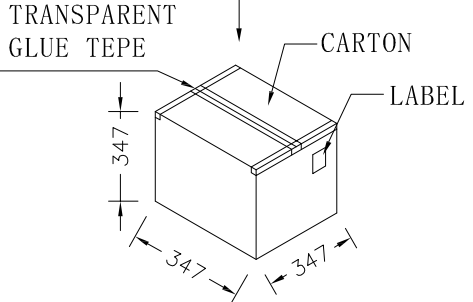
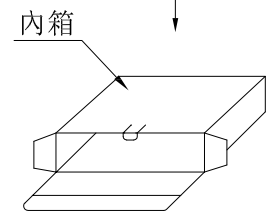
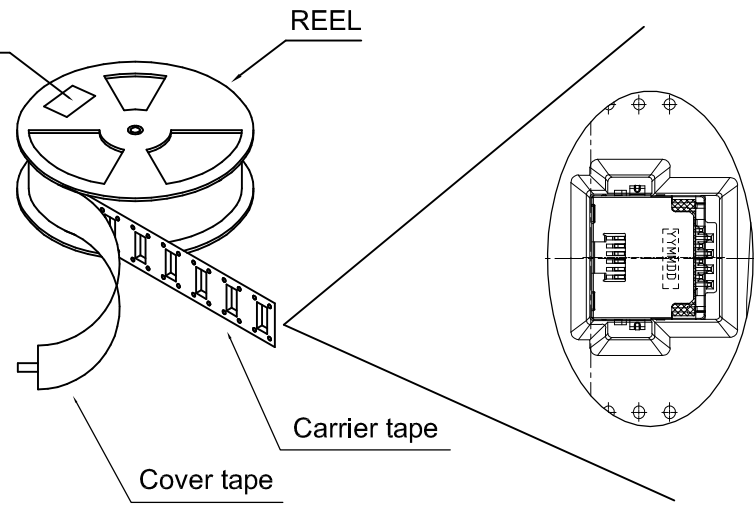
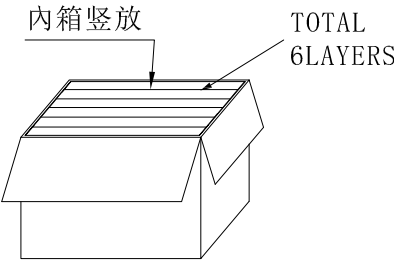
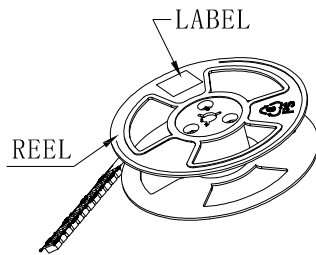
B

C

D

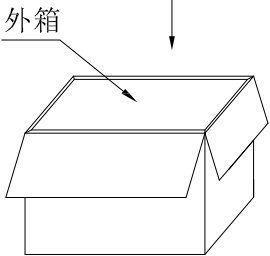
E

标签黏贴处(朝卷装包材的小定位孔一侧)  
Location of label sticking (label at small positioning hole of the carrier tape side)



备注 (NOTES):

- 1. 每卷包装数量及每箱装箱数量如下表格。  
Packing Q'ty of each reel & carton as below table shown.
- 4. 将装满产品的卷盘放入纸箱并以胶带封口。  
Put reels in the carton and use adhesive tape to seal up.



VIEW 4

产品料号 (Product No.)	包装数量 (Packing Quantity)		
	PCS/REEL	REELS/CARTON	PCS/CARTON
JABCAADHBXK	200	6	1200



TOLERANCE TABLE	
X. ± 0.30	X.° ± 3°
.X ± 0.25	.X.° ± 2°
.XX ± 0.20	

SCALE	1:1
UNIT	mm
SIZE	A4

DRAWN	潘健
CHECK	李晨涛
APPROVE	朱宁静

DATE	2024/05/18
DATE	2024/05/18
DATE	2024/05/18

DWG. NO.	600-0000-2445
PARTS NO.(INTENDED USE)	JABCAADHBXK

TITLE	RJ45 R/A STD 8P8C H=5.45mm CUSTOMER DRAWING
-------	---

REV.	1
SHEET	3/3

A

B

C

D

E