

A B C D E

**SPECIFICATIONS:**

**1.MATERIAL**

- HOUSING:HIGH TEMPERATURE THERMOPLASTIC,PA-10T+30%GF,UL94V-0,BLACK
- MODULE CASE :HIGH TEMPERATURE THERMOPLASTIC,LCP,UL94V-0,BLACK
- INSERT&COVER&SPACER:HIGH TEMPERATURE THERMOPLASTIC,LCP,UL94V-0,BLACK
- RJ CONTACTS:PHOSPHOR BRONZE,C5210R-H
- PLATING:30u" GOLD ON CONTACT AREA,  
100u" MIN TIN PLATING ON SOLDER TAILS,OVER 50~100u" NICKEL OVERALL
- SOLDER TAIL TERMINAL:BRASS,C2680R-EH
- PLATING :100u"TIN MIN OVER 50u" NICKEL OVERALL
- SHIELD:STAINLESS,SUS304-1/2H,THICKNESS=0.2MM,PRE-SOLDERING

**2.ELECTRICAL**

- INSULATING RESISTANCE:500 MOHMS MIN
- DIELECTRIC WITHSTANDING VOLTAGE:1000 VAC FOR 1 MINUTE

**3.DURABILITY TEST RATING**

- INSERTION FORCE WITH THE LATCH DEPRESSED:22N MAX
- REMOVAL FORCE WITH THE LATCH DEPRESSED:44N MAX
- DURAEILITY:750 CYCLES

**4.OPERATING AND STORAGE TEMPERATURE**

- OPERATING TEMPERATURE:0°C TO +70°C
- STORAGE TEMPERATURE:-40°C TO +85°C

**5.ROHS PEAK WAVE SOLDER TEMPERATURE RATING 260°C**

**ELECTRICAL CHARACTERISTICS:**

**1.INSERTION LOSS:**

- 1~100 MHz -1.0dB MAX.

**2.RETURN LOSS(LOAD 100Ω):**

- 1~30MHz -18dB MIN
- 30~60MHz -16dB MIN
- 60~80MHz -12dB MIN
- 80~100MHz -10dB MIN

**3.COMMON MODE REJECTION**

- 1~100MHz -30dB MIN

**4.CROSS TALK**

- 1~100MHz -30dB MIN

**5.OCL @ 100KHz,0.1V,8mA DC BIAS**

- (P1-P2),(P3-P4),(P5-P6),(P7-P8):350uH MIN

**6.DCR**

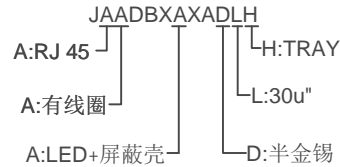
- (J1-J2),(J3-J6),(J4-J5),(J7-J8):1.2Ω MAX

**7.HI-POT TEST**

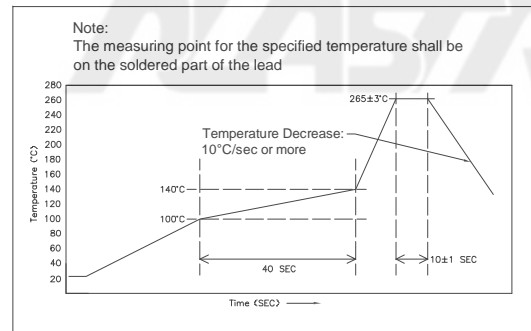
- PCB SIDE TO CABLE SIDE:1500VAC 60S OR 2250VDC 60S

**8.TURNS RATION 100KHz**

- (P1-P2):(J1-J2)=1:1±%5
- (P3-P4):(J3-J6)=1:1±%5
- (P5-P6):(J4-J5)=1:1±%5
- (P7-P8):(J7-J8)=1:1±%5

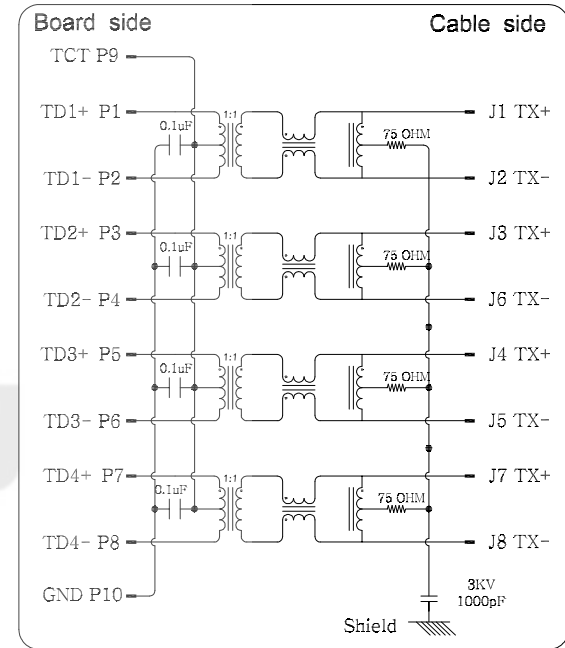


**TEMPERATURE CONDITION OF WAVE SOLDERING:**



**SCHEMATIC FOR RJ45:**

- 10/100/1000BASE-T
- WITH LED



1

2

3

1

2

3



|                 |            |          |         |     |      |            |                           |  |  |       |
|-----------------|------------|----------|---------|-----|------|------------|---------------------------|--|--|-------|
| TOLERANCE TABLE | SCALE      | 2.5:1    | DRAWN   | 江蒙  | DATE | 2024/05/27 | DWG. NO.<br>600-0000-2453 | TITLE<br>TRANSFORMER JACK<br>10/100/1000BASE-T<br>CUSTOMER DRAWING | REV.                                   | 1     |
|                 | X. ± 0.30  | X.° ± 3° | CHECK   | 李晨涛 | DATE | 2024/05/27 |                           |  | PARTS NO.(INTENDED USE)<br>JAADBXXADLH | SHEET |
|                 | .X ± 0.25  | .X° ± 2° | APPROVE | 朱宁静 | DATE | 2024/05/27 |                           |  |  |       |
|                 | .XX ± 0.20 |          | SIZE    | A4  |      |            |                           |  |  |       |

A B C D E