

A

B

C

D

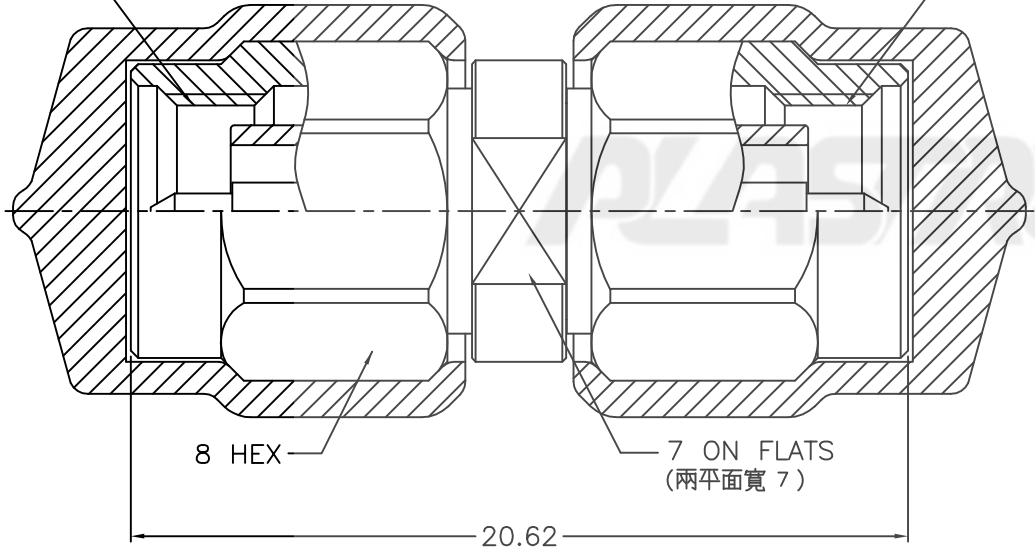
E

版次	ECN 编码	描述		设计/日期
1	EL24060020	初版发行		江蒙_2024/06/01
		改前	改后	

NOTES: FINISH(PLATING THICKNESS IN MICRO-INCHES)
 1.BRASS
 2.BERYLLIUM COPPER
 3.STAINLESS STEEL
 4.PASSIVATED
 5.NICKEL PL.100MIN.THICK OVER COPPER RL.50MIN THICK
 6.GOLD PL. 10MIN.THICK OVER ELECTROLESS NICKEL PL. 100MIN.THICK
 7.ULTEM 1000

1/4-36UNS-2B

1/4-36UNS-2B



JFCNBDBXX
 F:RF
 C:超小型
 N:3.5mm
 B:Beryllium Copper
 A: Gold Flash
 G:10u"
 L:30u"
 B:Gold Plating

8 HEX

7 ON FLATS
(两平面宽 7)

20.62

RoHS COMPLIANT



TOLERANCE TABLE	SCALE 2.5:1		DRAWN	江蒙	DATE	2024/06/01	DWG. NO. 600-0000-2465	TITLE 3.5mm PLUG TO PLUG ADAPTOR CUSTOMER DRAWING	REV.	1
	X. ± 0.30	X.° ± 3°	CHECK	李晨涛	DATE	2024/06/01			PARTS NO.(INTENDED USE)	SHEET
	.X ± 0.25	.X° ± 2°	SIZE	朱宁静	DATE	2024/06/01	JFCNBDBXX			
	.XX ± 0.20		A4							

A

B

C

D

E