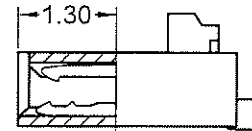
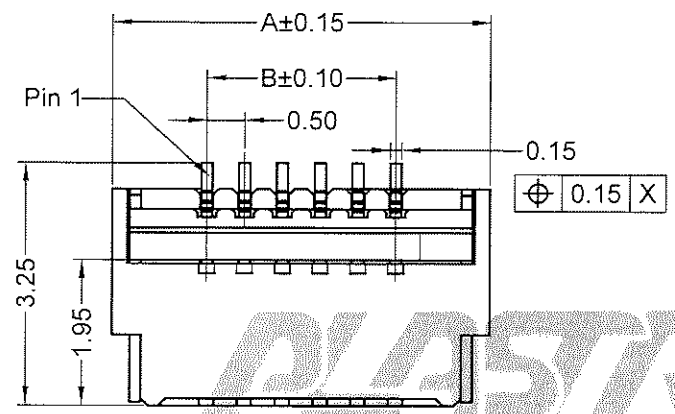


No. of Contacts	DIM.A	DIM.B	DIM.C	DIM.D
04	4.00	1.50	2.57	3.39
06	5.00	2.50	3.57	4.39
08	6.00	3.50	4.57	5.39
10	7.00	4.50	5.57	6.39
12	8.00	5.50	6.57	7.39
14	9.00	6.50	7.57	8.39
16	10.00	7.50	8.57	9.39
18	11.00	8.50	9.57	10.39
20	12.00	9.50	10.57	11.39
22	13.00	10.50	11.57	12.39
24	14.00	11.50	12.57	13.39
26	15.00	12.50	13.57	14.39
28	16.00	13.50	14.57	15.39
30	17.00	14.50	15.57	16.39
32	18.00	15.50	16.57	17.39
34	19.00	16.50	17.57	18.39
36	20.00	17.50	18.57	19.39
38	21.00	18.50	19.57	20.39
40	22.00	19.50	20.57	21.39

(排线插入深度)



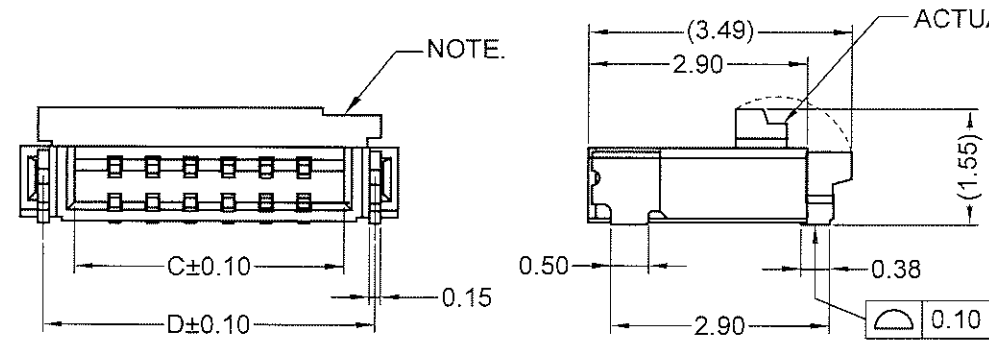
没有插入排线时，后盖禁止下压



版次	ECN 编码	描述		设计/日期
1	EL24080012	初版发行		张文浩_2024/08/05
		改前	改后	

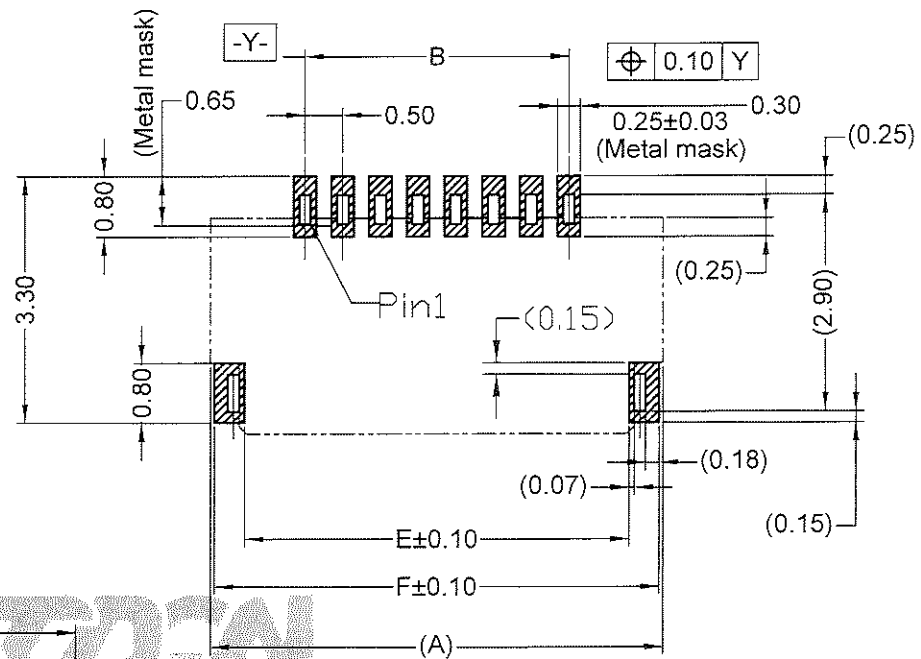
- NOTES: (Unless otherwise specified)
- Dimension shall be interpreted per ANSI Y14.5M.
 - Materials:
Insulator material: LCP, UL 94V-0; Color: Black.
Contact material: Phosphor Bronze.
 - Current Rating: 0.5 A.
 - Voltage Rating: 50Vrms AC.
 - Working Temperature: -55°C ~ +85°C.
 - Operating Humidity Range: Relative Humidity 90% Max. (NO CONDENSATION)
 - Storage Temperature Range: -10°C ~ +50°C.
 - Storage Humidity Range: Relative Humidity 90% Max. (NO CONDENSATION)
 - Harmful material should be compliant to doc. "EI-0005" standards.
 - Product number matrix:
FBBB XX RX BA K
Number of Contacts (09PIN~71PIN) K: Reel
Plating Code:
Surface area: Plating Gold flash.
The bottom layer: Plating Ni 50u" ~120u".

NOTE. 此凹陷处为盖子进胶点避位区，为控制塑胶变形量，将依不同PIN位调整位置，故此位置不列入管制。

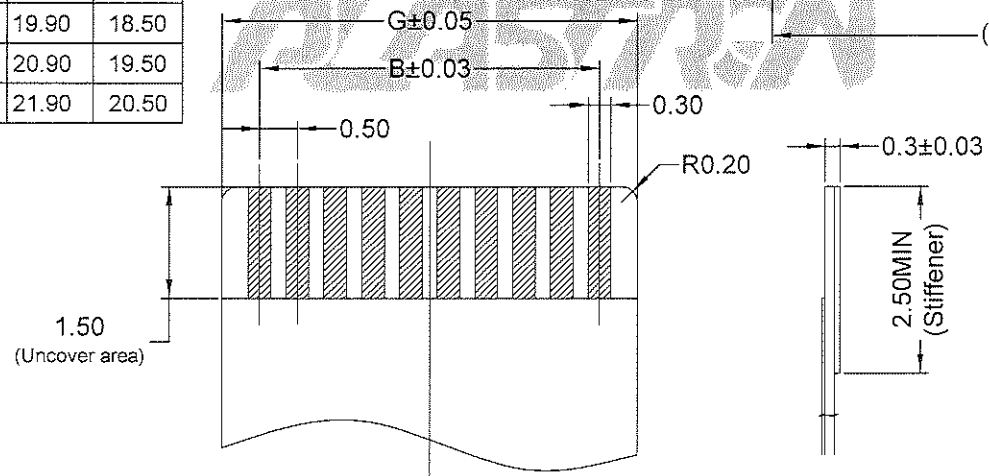


	TOLERANCE TABLE		SCALE 10:1	DRAWN 张文浩	DATE 2024/08/05	DWG. NO. 600-0000-2535	TITLE	REV. 1
	X, X±0.25	X.° ± 3°	UNIT mm	CHECK 朱文祥	DATE 2024/08/05	PARTS NO. (INTENDED USE) FBBBXXRXBAK	CUSTOMER DRAWING	SHEET 1/3
	X, XX ±0.15	X.° ± 3°	SIZE A4	APPROVE 朱文祥	DATE 2024/08/05			

No. of Contacts	DIM.A	DIM.B	DIM.E	DIM.F	DIM.G
04	4.00	1.50	3.10	3.90	2.50
06	5.00	2.50	4.10	4.90	3.50
08	6.00	3.50	5.10	5.90	4.50
10	7.00	4.50	6.10	6.90	5.50
12	8.00	5.50	7.10	7.90	6.50
14	9.00	6.50	8.10	8.90	7.50
16	10.00	7.50	9.10	9.90	8.50
18	11.00	8.50	10.10	10.90	9.50
20	12.00	9.50	11.10	11.90	10.50
22	13.00	10.50	12.10	12.90	11.50
24	14.00	11.50	13.10	13.90	12.50
26	15.00	12.50	14.10	14.90	13.50
28	16.00	13.50	15.10	15.90	14.50
30	17.00	14.50	16.10	16.90	15.50
32	18.00	15.50	17.10	17.90	16.50
34	19.00	16.50	18.10	18.90	17.50
36	20.00	17.50	19.10	19.90	18.50
38	21.00	18.50	20.10	20.90	19.50
40	22.00	19.50	21.10	21.90	20.50



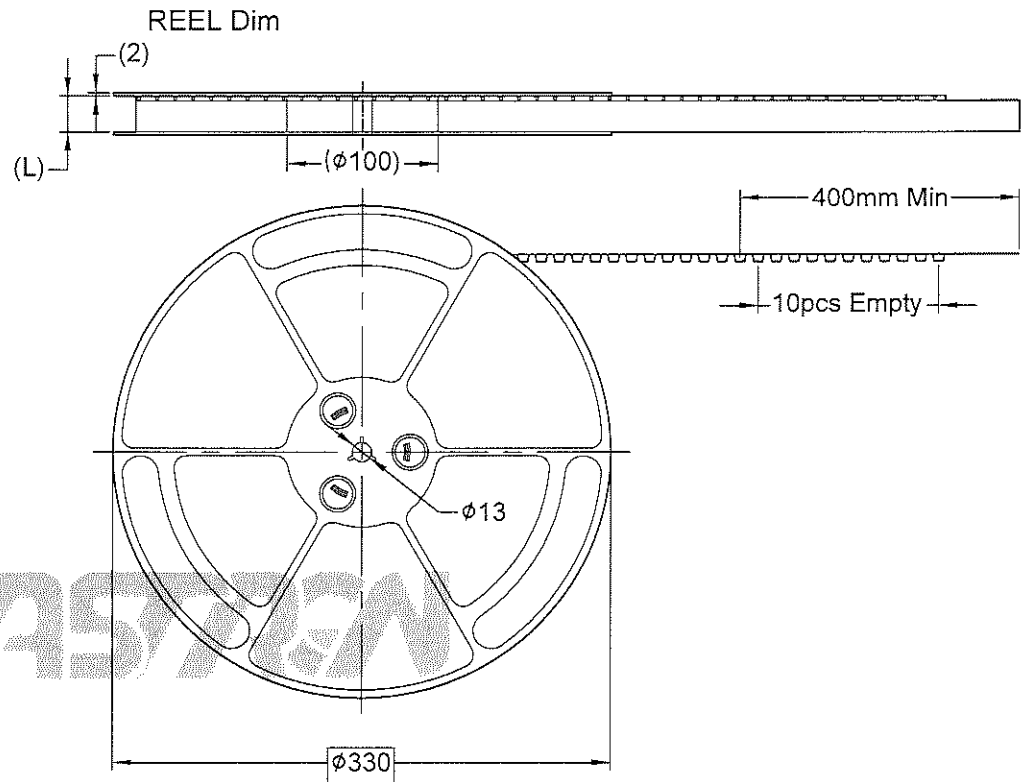
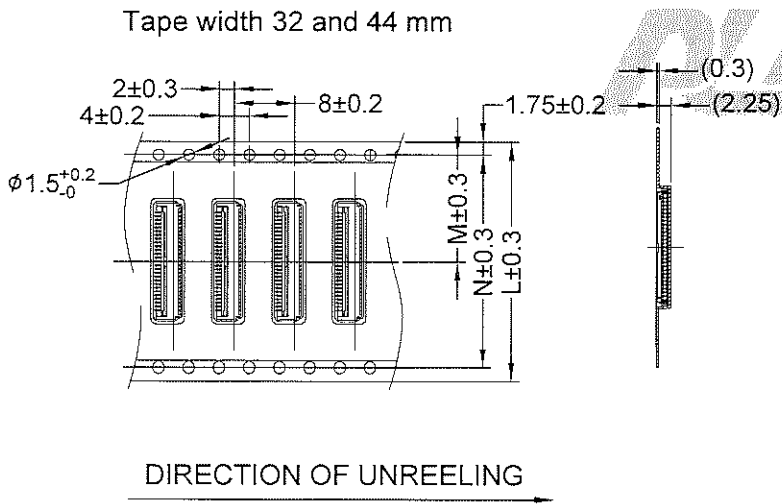
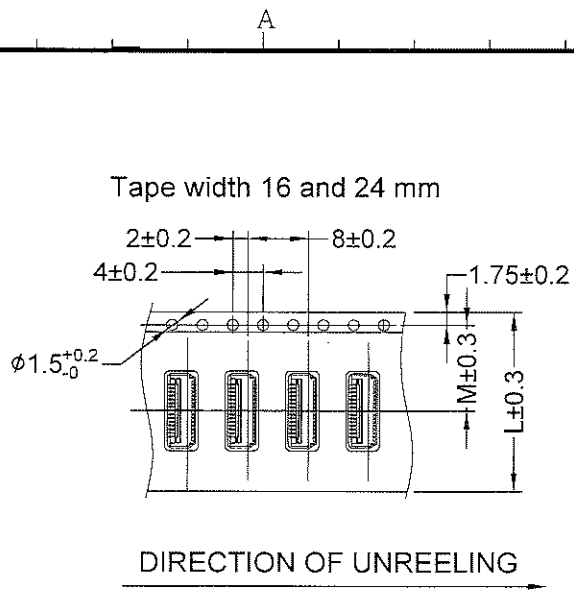
Recommended PCB Layout (TOP View)
Recommended metal mask thickness: t=0.1mm



Recommended FPC (排线厚度0.3mm)

	TOLERANCE TABLE		SCALE 10:1	DRAWN 张文浩	DATE 2024/08/05	DWG. NO. 600-0000-2535	TITLE	REV. 1
	X.X±0.25	X.°±3°	UNIT mm	CHECK 何志峰	DATE 2024/08/05	PARTS NO.(INTENDED USE) FBBBXXRXBAK	CUSTOMER DRAWING	SHEET 2/3
	X.XX±0.15	.X°±3°	SIZE A4	APPROVE 朱志峰	DATE 2024/08/05			

A B C D E



- Notes:
- 1.PER REEL : 4000pcs.
 - 2.Material : Black Conductive Polystyrene Alloy.
 - 3.Thickness : 0.3±0.05mm.
 - 4.All dimensions meet EIA-481-C requirements.

产品料号 (Product No.)	尺寸(Dimension)		
	L	M	N
FBBB04~ 12RXBAK	16.00	7.50	
FBBB14~ 28RXBAK	24.00	11.50	
FBBB30~ 38RXBAK	32.00	14.20	28.40
FBBB40~ 50RXBAK	44.00	20.20	40.40

	TOLERANCE TABLE		SCALE 10:1	DRAWN 张文浩	DATE 2024/08/05	DWG. NO. 600-0000-2535	TITLE	REV. 1
	X.X±0.25	X.°±3°	UNIT mm	CHECK 何晓丹	DATE 2024/08/05	PARTS NO.(INTENDED USE) FBBBXXRXBAK	CUSTOMER DRAWING	SHEET 3/3
	X.XX±0.15	.X°±3°	SIZE A4	APPROVE 朱文祥	DATE 2024/08/05			