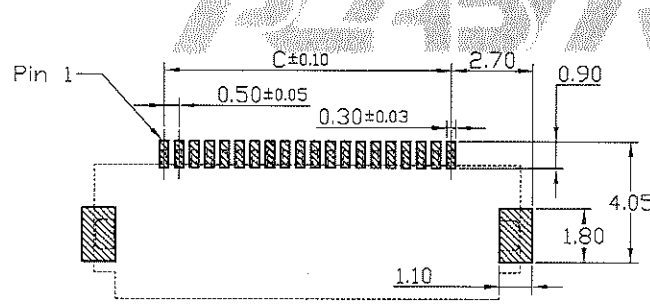
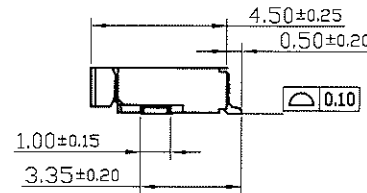
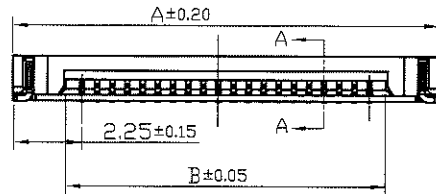
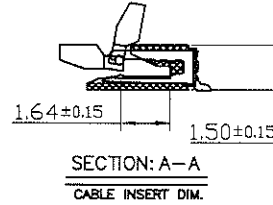
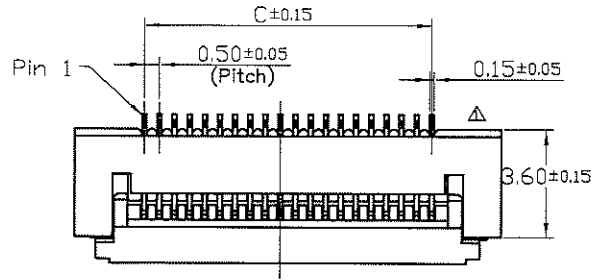


PIN	DIM A	DIM B	DIM C
4	6.10	2.60	1.50
5	6.60	3.10	2.00
6	7.10	3.60	2.50
7	7.60	4.10	3.00
8	8.10	4.60	3.50
9	8.60	5.10	4.00
10	9.10	5.60	4.50
11	9.60	6.10	5.00
12	10.10	6.60	5.50
13	10.60	7.10	6.00
14	11.10	7.60	6.50
15	11.60	8.10	7.00
16	12.10	8.60	7.50
17	12.60	9.10	8.00
18	13.10	9.60	8.50
19	13.60	10.10	9.00
20	14.10	10.60	9.50
21	14.60	11.10	10.00
22	15.10	11.60	10.50
23	15.60	12.10	11.00
24	16.10	12.60	11.50
25	16.60	13.10	12.00
26	17.10	13.60	12.50
27	17.60	14.10	13.00
28	18.10	14.60	13.50
29	18.60	15.10	14.00
30	19.10	15.60	14.50
31	19.60	16.10	15.00
32	20.10	16.60	15.50
33	20.60	17.10	16.00
34	21.10	17.60	16.50
35	21.60	18.10	17.00
36	22.10	18.60	17.50
37	22.60	19.10	18.00
38	23.10	19.60	18.50
39	23.60	20.10	19.00
40	24.10	20.60	19.50
41	24.60	21.10	20.00
42	25.10	21.60	20.50
43	25.60	22.10	21.00
44	26.10	22.60	21.50
45	26.60	23.10	22.00
46	27.10	23.60	22.50
47	27.60	24.10	23.00
48	28.10	24.60	23.50
49	28.60	25.10	24.00
50	29.10	25.60	24.50
51	29.60	26.10	25.00
52	30.10	26.60	25.50
53	30.60	27.10	26.00
54	31.10	27.60	26.50
55	31.60	28.10	27.00
56	32.10	28.60	27.50
59	33.60	30.10	29.00
60	34.10	30.60	29.50



PCB LAYOUT

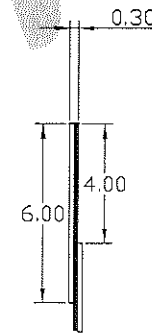
版次	ECN 编码	描述	设计/日期
1	EL24080014	初版发行	张文浩_2024/08/05
		改前	改后

- NOTES: (Unless otherwise specified)
- Dimension shall be interpreted per ANSI Y14.5M.
 - Materials:
Insulator material: LCP,UL 94V-0;Color:Black.
Contact material: Copper Alloy.
 - Current Rating: 0.3 A AC/DC.
 - Voltage Rating: 50V AC/DC.
 - Working Temperature: -25°C ~ +85°C.
 - Harmful material should be compliant to doc. "EI-0005" standards.
 - Product number matrix:

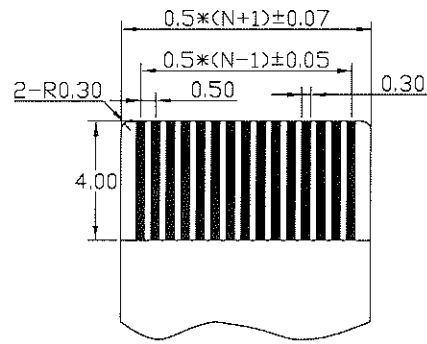
FBCA XX CX AA K

Number of Contacts
(04PIN~60PIN)

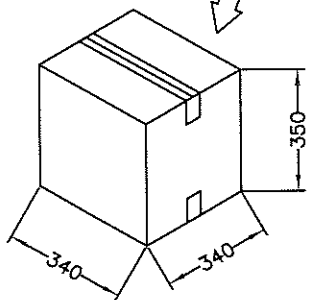
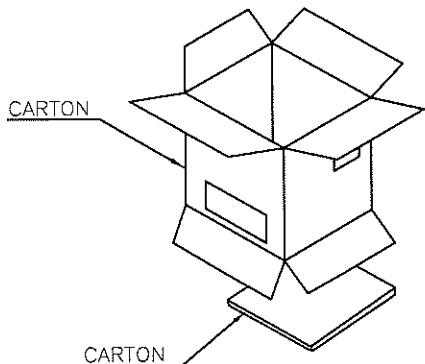
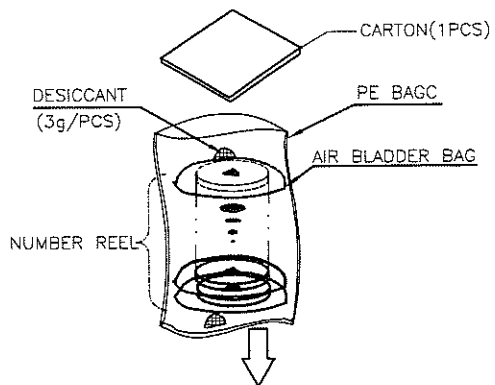
Plating Code:
Surface area:Plating Sn 80u"~200u".
The bottom layer:Plating Ni 50u" ~120u".



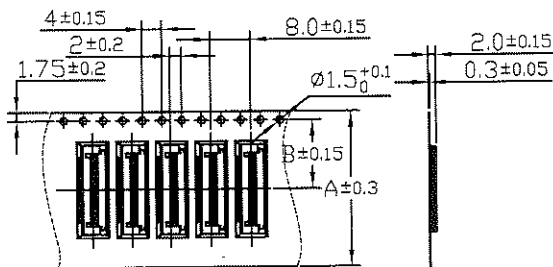
APPLICABLE FPC



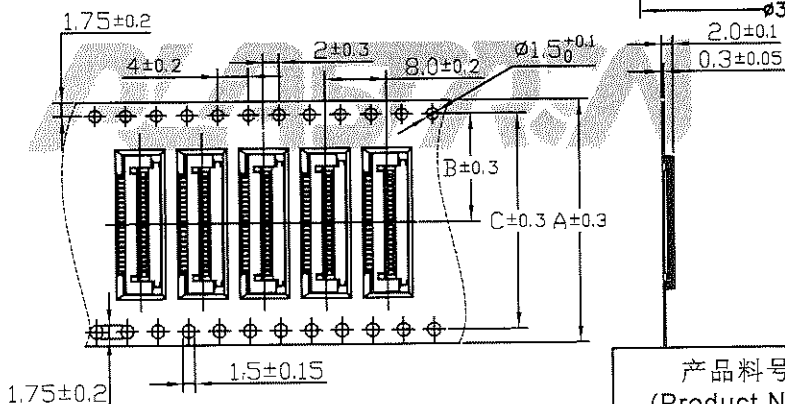
TOLERANCE TABLE		SCALE 4:1	DRAWN	张文浩	DATE	2024/08/05	DWG. NO.	TITLE	REV.
X.X ± 0.25	X.° ± 3°	UNIT mm	CHECK	任勇	DATE	2024/08/05	600-0000-2548	CUSTOMER DRAWING	1
X.XX ± 0.20	X.° ± 3°	SIZE A4	APPROVE	朱文	DATE	2024/08/05	PARTS NO.(INTENDED USE)		SHEET
X.XXX ± 0.10							FBCAXXCXAAK		1/2



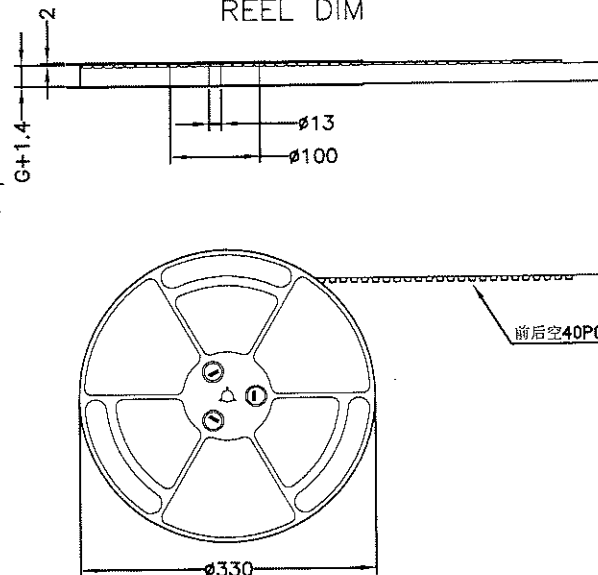
Tape width 16 and 24 mm



Tape width 32 and 56 mm



REEL DIM



NOTES:

- 1.Component load per 13" reel:4000 pcs
- 2.Material: black conductive polystyrene alloy.
- 3.Thickness:0.3±0.05mm
- 4.All dimensions meet EIA-481-C requirements

产品料号 (Product No.)	尺寸(Dimension)			包装容量(Packing capacity)	
	A	B	C	REELS/CARTON	PCS/CARTON
FBCA09~21CXAAK	16.00	7.50	/	15	60000
FBCA09~21CXAAK	24.00	11.50	/	10	40000
FBCA09~21CXAAK	32.00	14.20	28.40	8	32000
FBCA09~21CXAAK	44.00	20.20	40.40	6	24000
FBCA09~21CXAAK	56.00	26.25	52.50	5	20000



TOLERANCE TABLE	
X.X ± 0.25	X.° ± 3°
X.XX ± 0.20	X.° ± 3°
X.XXX ± 0.10	

SCALE	2.5:1
UNIT	mm
SIZE	A4

DRAWN	张文浩
CHECK	何俊明
APPROVE	朱松

DATE	2024/08/05
DATE	2024/08/05
DATE	2024/08/05

DWG. NO.	600-0000-2548
PARTS NO.(INTENDED USE)	FBCAXXCXAAK

TITLE	CUSTOMER DRAWING
-------	------------------

REV.	1
SHEET	2/2