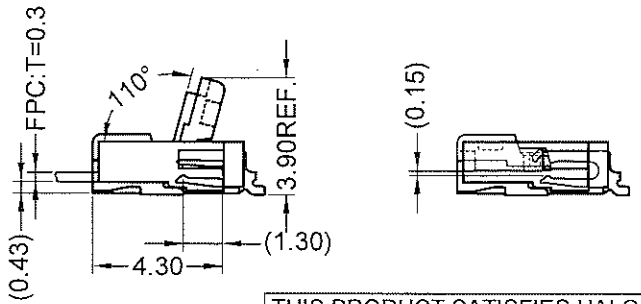


版次	ECN 编码	描述		设计/日期
1	EL24080028	初版发行		张文浩_2013/05/13
		改前	改后	

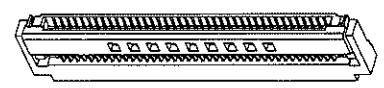
NOTES: (Unless otherwise specified)

- Dimension shall be interpreted per ANSI Y14.5M.
- Materials:
Housing: LCP,Black (UL 94V-0)
Actuator: LCP,Black (UL 94V-0)
Terminal: Phosphor Bronze.
Solder Pin: Brass.
- Harmful material should be compliant to doc. "EI-0005" standards.
- Product number matrix:
FBDA XX CX BA K
Number of Contacts ——— K:Reel
Plating Code:
Surface area:Plating Gold flash.
The bottom layer:Plating Ni 60u"~100u".

No. of Contacts	DIM.			
	A	B	C	D
04	6.3	1.5	2.57	4.7
05	6.8	2.0	3.07	5.2
06	7.3	2.5	3.57	5.7
08	8.3	3.5	4.57	6.7
10	9.3	4.5	5.57	7.7
11	9.8	5.0	6.07	8.2
12	10.3	5.5	6.57	8.7
15	11.8	7.0	8.07	10.2
16	12.3	7.5	8.57	10.7
18	13.3	8.5	9.57	11.7
20	14.3	9.5	10.57	12.7
22	15.3	10.5	11.57	13.7
24	16.3	11.5	12.57	14.7
25	16.8	12.0	13.07	15.2
26	17.3	12.5	13.57	15.7
28	18.3	13.5	14.57	16.7
30	19.3	14.5	15.57	17.7
32	20.3	15.5	16.57	18.7
40	24.3	19.5	20.57	22.7
50	29.3	24.5	25.57	27.7
60	34.3	29.5	30.57	32.7



THIS PRODUCT SATISFIES HALOGEN FERR

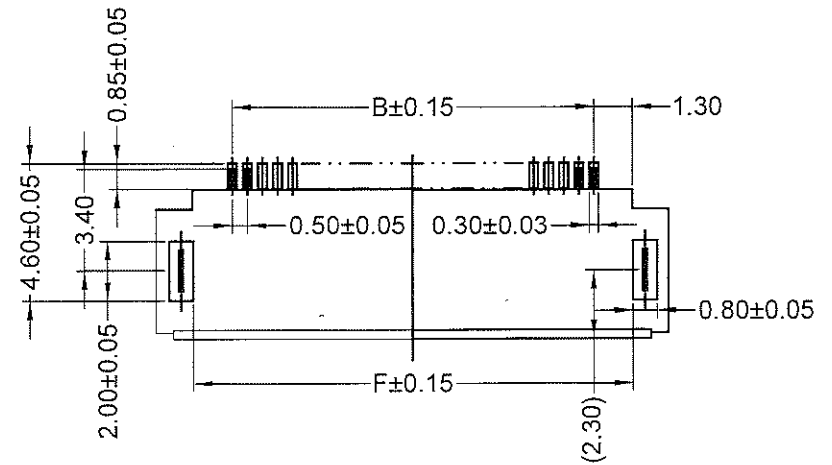


3D VIEW

	TOLERANCE TABLE		SCALE 10:1	DRAWN 张文浩	DATE 2013/05/13	DWG. NO. 600-0000-2547	TITLE	REV. 1
	X.X ± 0.25	X.° ± 3°	UNIT mm	CHECK 何文明	DATE 2013/05/14	PARTS NO.(INTENDED USE) FBDAXXCXBAK	CUSTOMER DRAWING	SHEET 1/3
	X.XX ± 0.20	.X° ± 3°	SIZE A4	APPROVE 朱光新	DATE 2013/05/14			
	X.XXX ± 0.10							

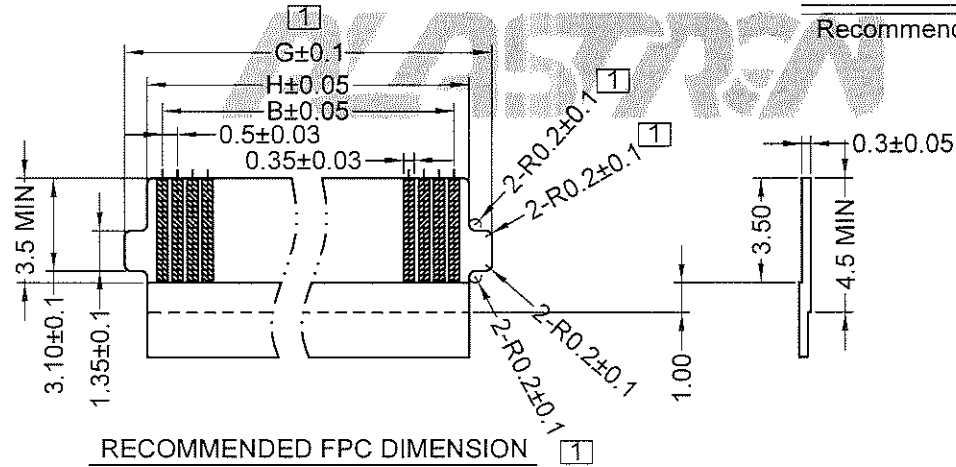
PLASTREN

No. of Contacts	DIM.			
	B	F	G	H
04	1.5	4.1	4.1	2.5
05	2.0	4.6	4.6	3.0
06	2.5	5.1	5.1	3.5
08	3.5	6.1	6.1	4.5
10	4.5	7.1	7.1	5.5
11	5.0	7.6	7.6	6.0
12	5.5	8.1	8.1	6.5
15	7.0	9.6	9.6	8.0
16	7.5	10.1	10.1	8.5
18	8.5	11.1	11.1	9.5
20	9.5	12.1	12.1	10.5
22	10.5	13.1	13.1	11.5
24	11.5	14.1	14.1	12.5
25	12.0	14.6	14.6	13.0
26	12.5	15.1	15.1	13.5
28	13.5	16.1	16.1	14.5
30	14.5	17.1	17.1	15.5
32	15.5	18.1	18.1	16.5
40	19.5	22.1	22.1	20.5
50	24.5	27.1	27.1	25.5
60	29.5	32.1	32.1	30.5



Recommended PCB Layout (TOP View)

Recommended metal mask thickness: $t=0.1\text{mm}$



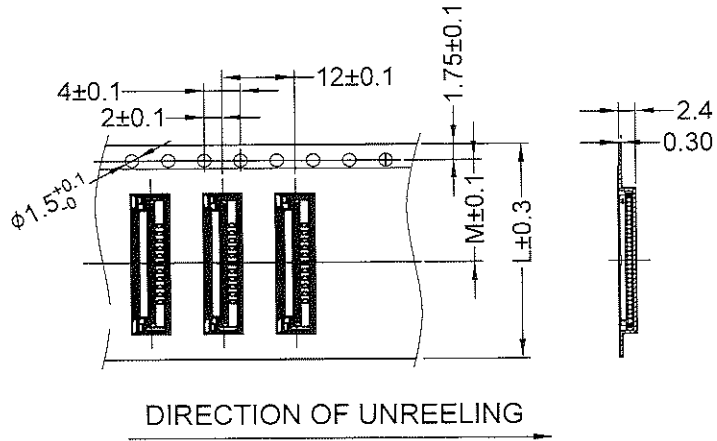
RECOMMENDED FPC DIMENSION

Notes: 1 FPC/FFC without tabs can also be used.
In that case, the specified portions are not necessary.

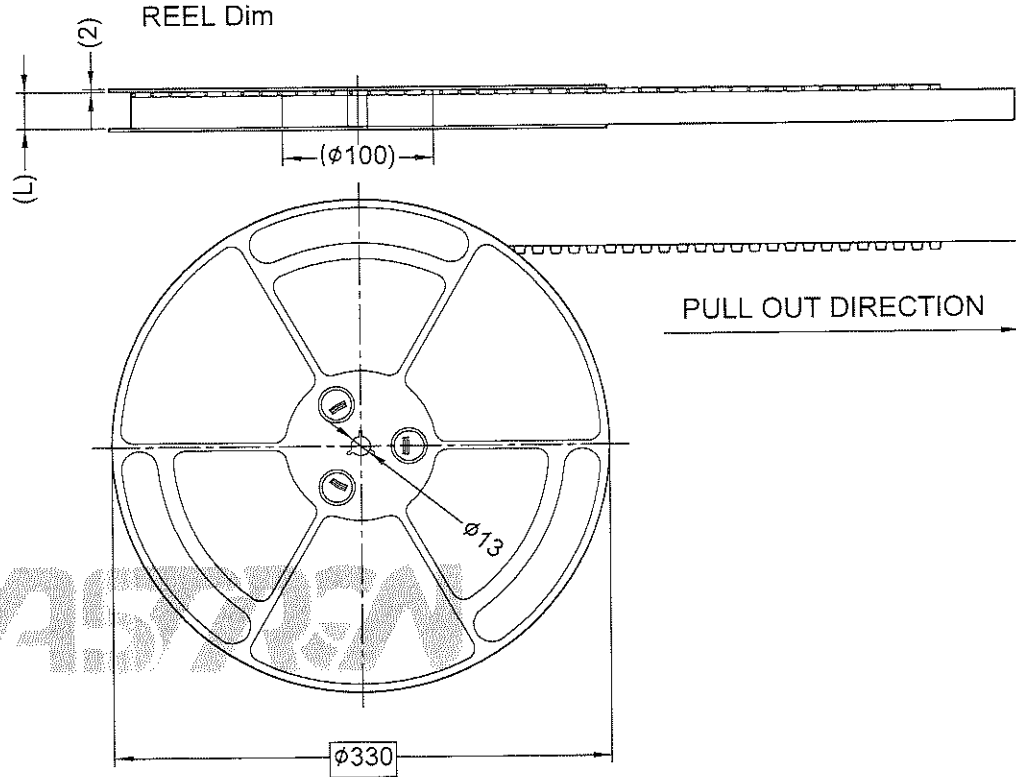
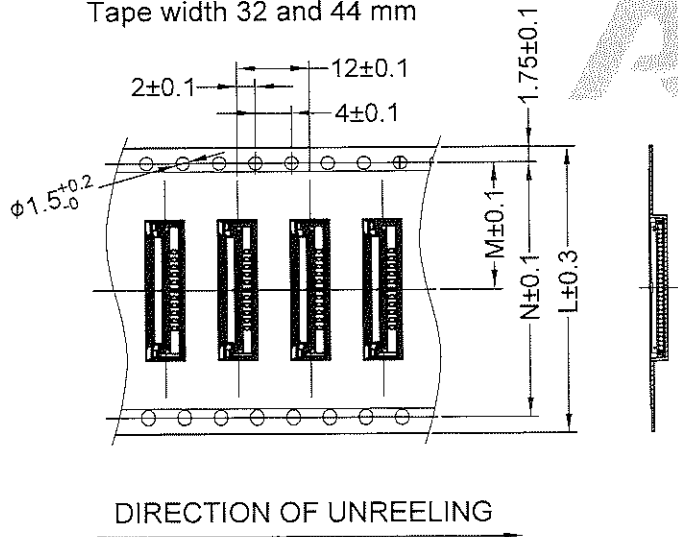


TOLERANCE TABLE		SCALE 10:1	DRAWN	张文浩	DATE	2013/05/13	DWG. NO.	TITLE	REV.
X.X ± 0.25	X.° ± 3°	UNIT mm	CHECK	何志勇	DATE	2013/05/14	600-0000-2547	CUSTOMER DRAWING	1
X.XX ± 0.20	X.° ± 3°	SIZE A4	APPROVE	宋文辉	DATE	2013/05/14	PARTS NO.(INTENDED USE)		SHEET
X.XXX ± 0.10							FBDAXXCXBAK		2/3

Tape width 16 and 24 mm



Tape width 32 and 44 mm



Notes:

1. PER REEL : 2000pcs.
2. Material : Black Conductive Polystyrene Alloy.
3. Thickness : 0.3±0.05mm.
4. All dimensions meet EIA-481-C requirements.

产品料号 (Product No.)	尺寸(Dimension)		
	L	M	N
FBDA04CXBAK	16.00	7.50	
FBDA05~20CXBAK	24.00	11.50	
FBDA21~30CXBAK	32.00	14.20	28.40
FBDA31~54CXBAK	44.00	20.20	40.40
FBDA55~60CXBAK	56.00	26.20	52.40



TOLERANCE TABLE	
X.X ± 0.25	X.° ± 3°
X.XX ± 0.20	.X° ± 3°
X.XXX ± 0.10	

SCALE	1:1
UNIT	mm
SIZE	A4

DRAWN
CHECK
APPROVE

张文科
何晓明
朱文峰

DATE
DATE
DATE

DWG. NO.
600-0000-2547
PARTS NO.(INTENDED USE)
FBDAXXCXBAK

TITLE
CUSTOMER DRAWING

REV.
1
SHEET
3/3