

版次	ECN 编码	描述		设计/日期
1	EL24080040	初版发行		张文浩_2019/05/29
		改前	改后	

- NOTES: (Unless otherwise specified)
- Dimension shall be interpreted per ANSI Y14.5M.
 - Materials:
 - Housing: LCP High-Temp Thermoplastic UL94V-0,Color:Beige
 - Actuator: LCP High-Temp Thermoplastic UL94V-0,Color:Beige
 - Terminal:Phosphor Bronze.
 - Fitting Nail:Brass.
 - Current Rating: 0.5A AC/DC.
 - Voltage Rating: 50V AC/DC.
 - Working Temperature: -40°C ~ +105°C.
 - Harmful material should be compliant to doc. "EI-0005" standards.
 - Product number matrix: FBKA XX XX BA K

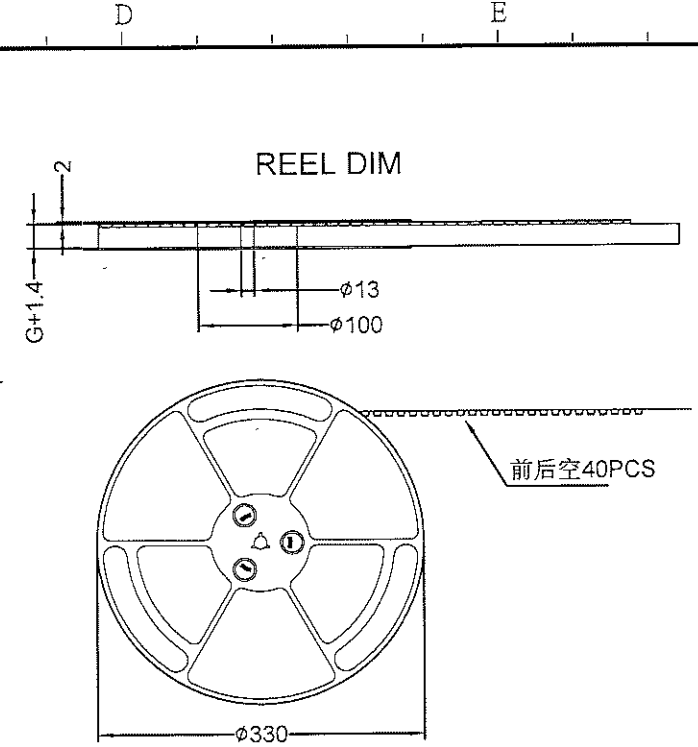
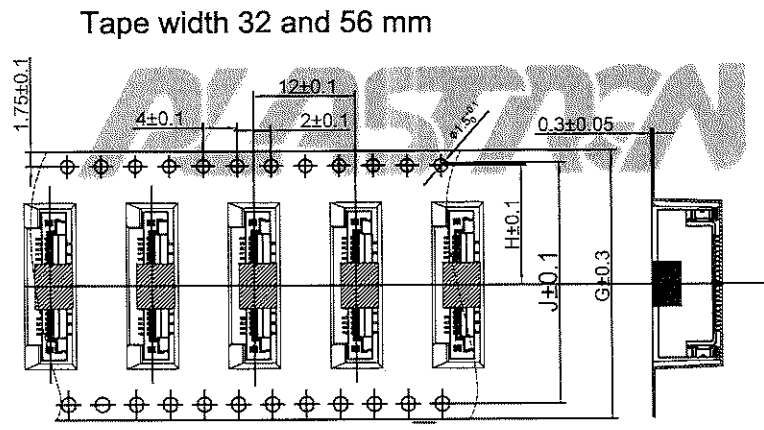
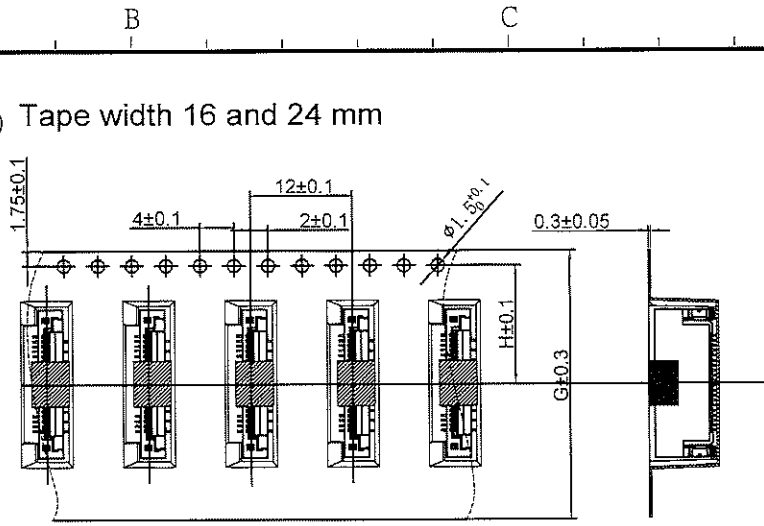
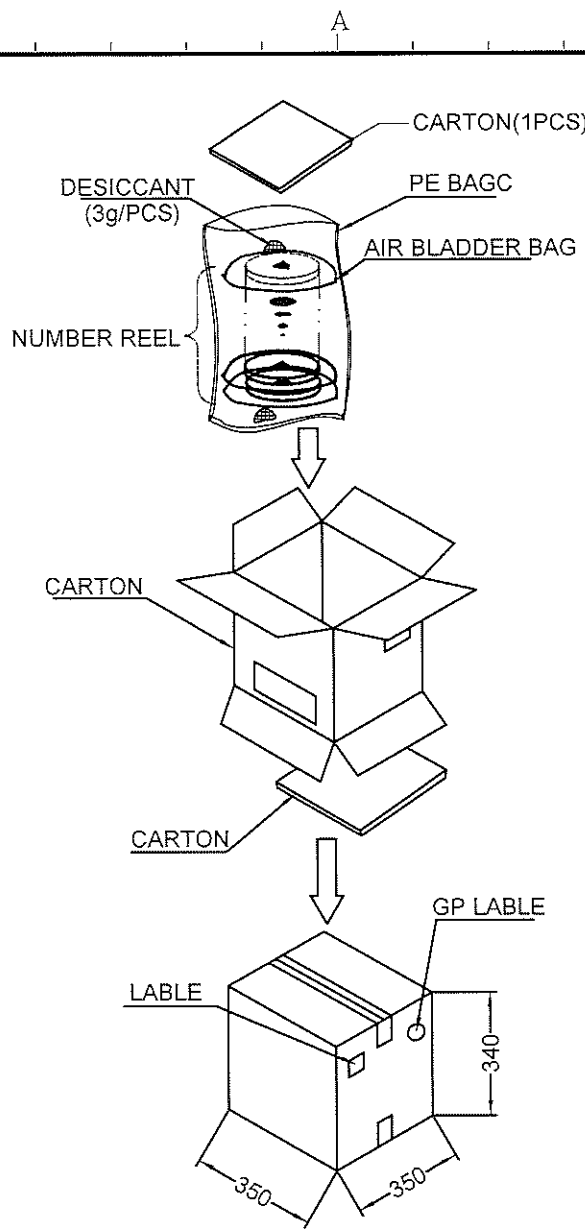
Number of Contacts: FBKA XX XX BA K
 Reel
 Plating Code:
 BA:Surface area:Plating Gold flash.
 The bottom layer:Plating Ni 50u" ~ 100u".
 AA:Surface area:Plating Sn 100u" ~ 150u".
 The bottom layer:Plating Ni 50u" ~ 100u".

NO. of contacts	Dimensions				NO. of contacts	Dimensions			
	A.	B.	C.	D.		A.	B.	C.	D.
4	6.80	1.50	2.57	4.72	33	21.30	16.00	17.07	19.22
5	7.30	2.00	3.07	5.22	34	21.80	16.50	17.57	19.72
6	7.80	2.50	3.57	5.72	35	22.30	17.00	18.07	20.22
7	8.30	3.00	4.07	6.22	36	22.80	17.50	18.57	20.72
8	8.80	3.50	4.57	6.72	37	23.30	18.00	19.07	21.22
9	9.30	4.00	5.07	7.22	38	23.80	18.50	19.57	21.72
10	9.80	4.50	5.57	7.72	39	24.30	19.00	20.07	22.22
11	10.30	5.00	6.07	8.22	40	24.80	19.50	20.57	22.72
12	10.80	5.50	6.57	8.72	41	25.30	20.00	21.07	23.22
13	11.30	6.00	7.07	9.22	42	25.80	20.50	21.57	23.72
14	11.80	6.50	7.57	9.72	43	26.30	21.00	22.07	24.22
15	12.30	7.00	8.07	10.22	44	26.80	21.50	22.57	24.72
16	12.80	7.50	8.57	10.72	45	27.30	22.00	23.07	25.22
17	13.30	8.00	9.07	11.22	46	27.80	22.50	23.57	25.72
18	13.80	8.50	9.57	11.72	47	28.30	23.00	24.07	26.22
19	14.30	9.00	10.07	12.22	48	28.80	23.50	24.57	26.72
20	14.80	9.50	10.57	12.72	49	29.30	24.00	25.07	27.22
21	15.30	10.00	11.07	13.22	50	29.80	24.50	25.57	27.72
22	15.80	10.50	11.57	13.72	51	30.30	25.00	26.07	28.22
23	16.30	11.00	12.07	14.22	52	30.80	25.50	26.57	28.72
24	16.80	11.50	12.57	14.72	53	31.30	26.00	27.07	29.22
25	17.30	12.00	13.07	15.22	54	31.80	26.50	27.57	29.72
26	17.80	12.50	13.57	15.72	55	32.30	27.00	28.07	30.22
27	18.30	13.00	14.07	16.22	56	32.80	27.50	28.57	30.72
28	18.80	13.50	14.57	16.72	57	33.30	28.00	29.07	31.22
29	19.30	14.00	15.07	17.22	58	33.80	28.50	29.57	31.72
30	19.80	14.50	15.57	17.72	59	34.30	29.00	30.07	32.22
31	20.30	15.00	16.07	18.22	60	34.80	29.50	30.57	32.72
32	20.80	15.50	16.57	18.72	61	35.30	30.00	31.07	33.22

Recommended PCB Layout(Top View)
 Recommended metal mask pattern(Thickness 0.1mm)

APPLICABLE FPC/FFC
 (THICKNESS 0.3±0.03)

	TOLERANCE TABLE		SCALE 4:1	DRAWN 张文浩	DATE 2019/05/29	DWG. NO. 600-0000-2539	TITLE	REV. 1
	X.X ± 0.30	X.° ± 2°	UNIT mm	CHECK 何文娟	DATE 2019/05/30	PARTS NO.(INTENDED USE) FBKAXXXBAK	CUSTOMER DRAWING	SHEET 1/2
	X.XX ± 0.25	.X° ± 2°	SIZE A4	APPROVE 朱宇辉	DATE 2019/05/30			
	X.XXX ± 0.15							



NOTES:
 1. Component load per 13" reel: 800 pcs
 2. Material: black conductive polystyrene alloy.
 3. Thickness: 0.3±0.05mm
 4. All dimensions meet EIA-481-C requirements

No. of Contacts	DIM			REEL (CARTON)	SUM(PCS)
	G	H	J		
4pin-8pin	16	7.5		15	12000
9pin-24pin	24	11.5		10	8000
25pin-33pin	32	14.20	28.40	8	6400
34pin-57pin	44	20.20	40.40	6	4800
58pin-61pin	56	26.25	52.50	5	4000

	TOLERANCE TABLE		SCALE 2.5:1	DRAWN 张文浩	DATE 2019/05/29	DWG. NO. 600-0000-2539		TITLE CUSTOMER DRAWING	REV. 1
	X.X ± 0.25	X.° ± 3°	UNIT mm	CHECK 张成成	DATE 2019/05/30	PARTS NO.(INTENDED USE) FBKAXXXXBAK			SHEET 2/2
	X.XX ± 0.20	.X° ± 3°	SIZE A4	APPROVE 张成成	DATE 2019/05/30				
	X.XXX ± 0.10								